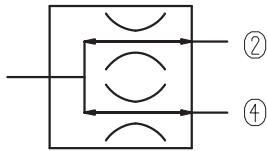


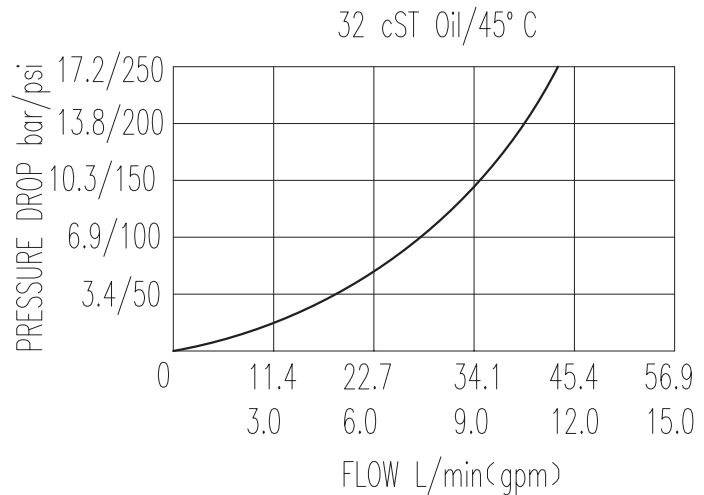
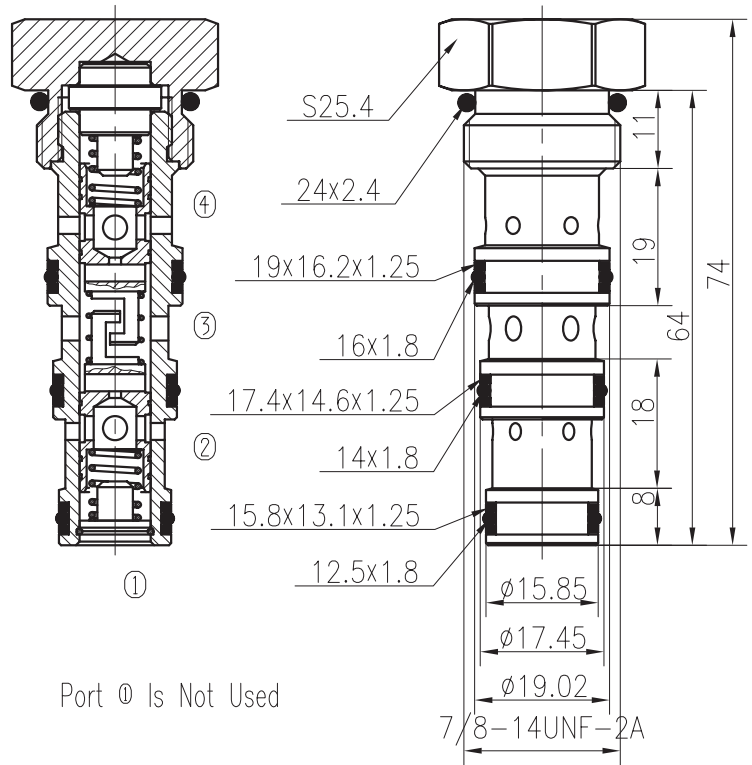
Flow Divider/Combiner Valves

BFJF10-01/X.Y



Specifications:

Max.Working Pressure :	240bar
Flow Max :	40L/min
Filtration Of Oil):	25μm or better
Temperature):	-30~+110°c (Standard Buna Seals)
Cavity :	T5-3
Installation torque :	33.9~36.7Nm
Flow Accuracy :	±10%



X	PORTING	Y	SEALS
0	Cartridge Only	N	Buna
4G	G1/4	V	Fluor.)
8G	G3/8		
4T	SAE4		
6T	SAE6		