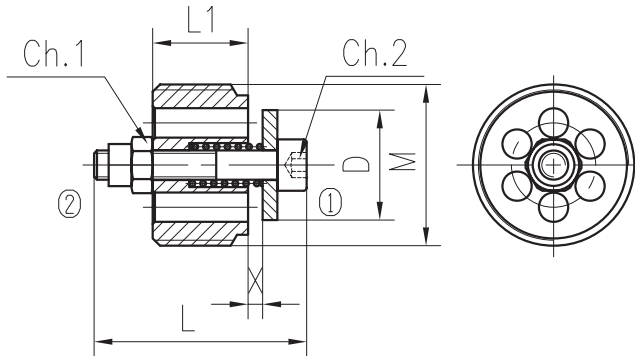
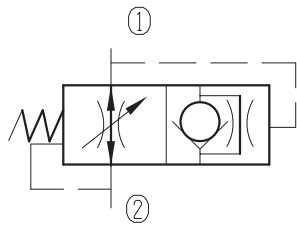
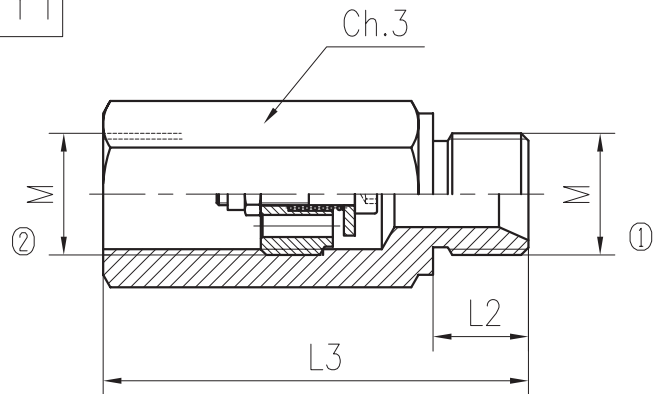


Anti-burst Safety valves

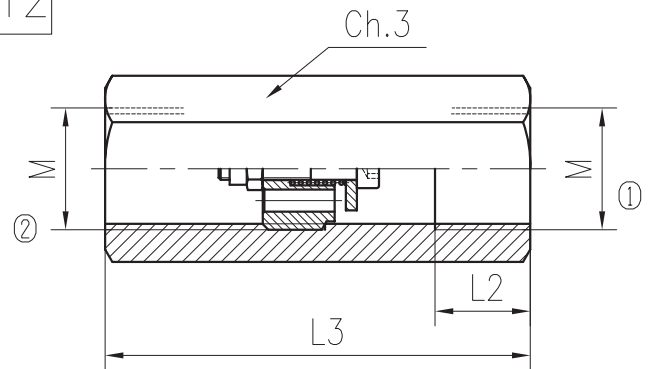
BFBF_{xx}/X.x



Y1



Y2



Code	M	Max.flow L/min	Max.press. bar	L	L1	L2	L3	D	Ch.1	Ch.2	Ch.3	Torque (± 15%) Nm
FBF140	G1/4	25	350	19	8.5	13	49	10.5	5.5	2.5	19	4
FBF380	G3/8	50		23	11	14	56	12.7	5.5	2.5	22	6
FBF120	G1/2	80		29	13	15	70	15	7	3	27	8
FBF340	G3/4	150		34	18	18	76	18	7	3	32	12
FBF100	G1	180		40	20	22	82	26	8	4	38	16
FBF1215	M12x1.5	15		19	8.5			10	5.5	2.5		4
FBF1415	M14x1.5	25		23	11			11.5	5.5	2.5		4
FBF1615	M16x1.5	50		23	11			12.7	5.5	2.5		6
FBF2215	M22x1.5	80		29	13			15	7	3		8

X
① to ②

