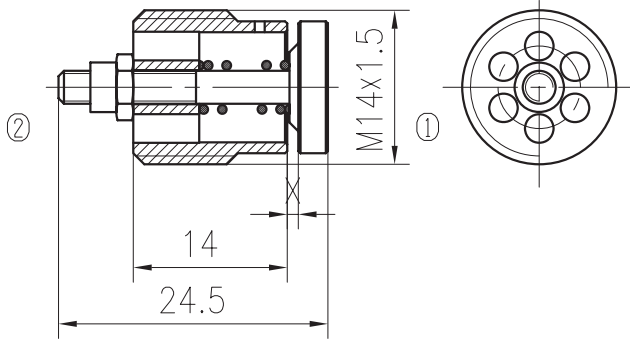


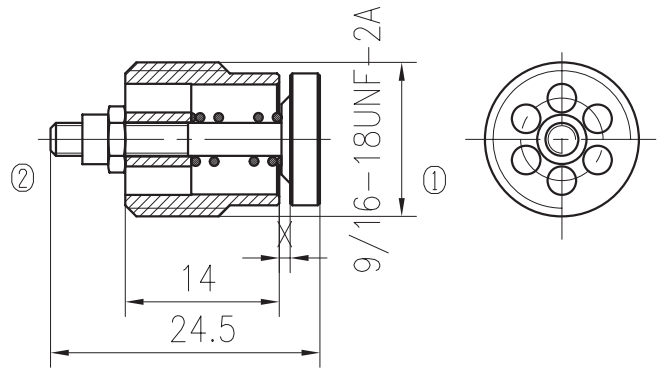
Anti-burst Safety valves

BFBF12-01/03

FBF12-01/X



FBF12-03/X



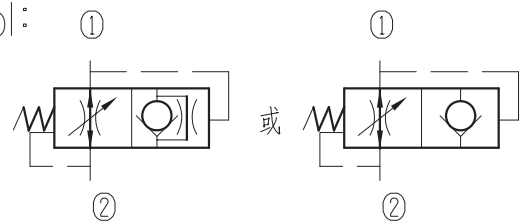
Specifications:

Max.Working Pressure :	210bar
Flow Max :	25L/min
Filtration Of Oil :	25 μ m or better
Temperature :	-30~+100 $^{\circ}$ C

Installation torque : 3Nm

X setting on request.Example:setting 1.0mm,Code X1.0
Omit if not required

Symbol:



X ① to ②
32 cST Oil/45 $^{\circ}$ C

