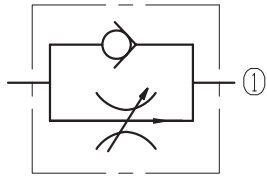


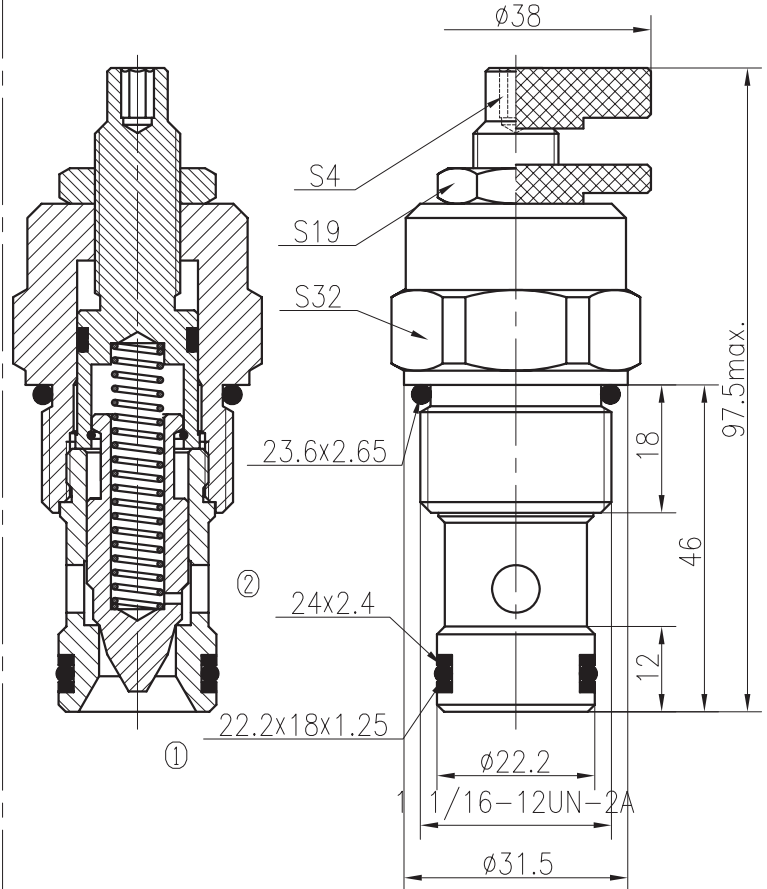
Adjustable Restriction Valves With Reverse Flow Check

BDLF12-01/X.Y.Z



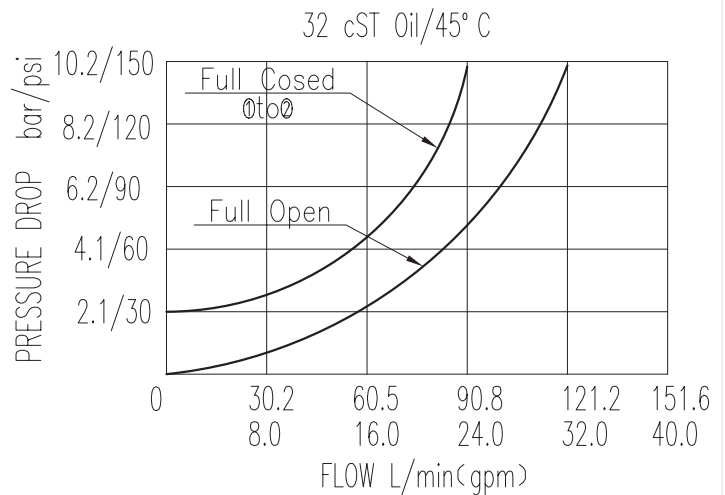
Specifications:

Max.Working Pressure :	240bar
Flow Max :	120L/min at 10bar
Internal Leakage :	<0.3ml/min
Filtration Of Oil :	25µm or better
Temperature :	-30~+110°C (Standard Buna Seals)
Cavity :	T6-1
Installation torque :	44.9~50.3Nm



The valve reduce its office value from fully opened to fully close with clock-wise adjustment rotation. At the same time ,the flow from max. to shut-off.

Reverse flow from @to@ is free and no restriction.



X	PORTING	Y	SEALS
0	Cartridge Only	N	Buna
5G	G3/4	V	Fluor.
6G	G1		
10T	SAE10		
12T	SAE12		

Z	ADJUSTMENTS	
05	Leakproof hex. and socket screw	
10	Alum. Knob and Locking Nut	