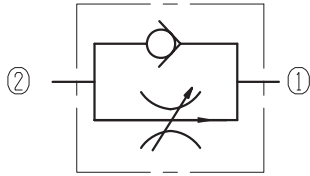


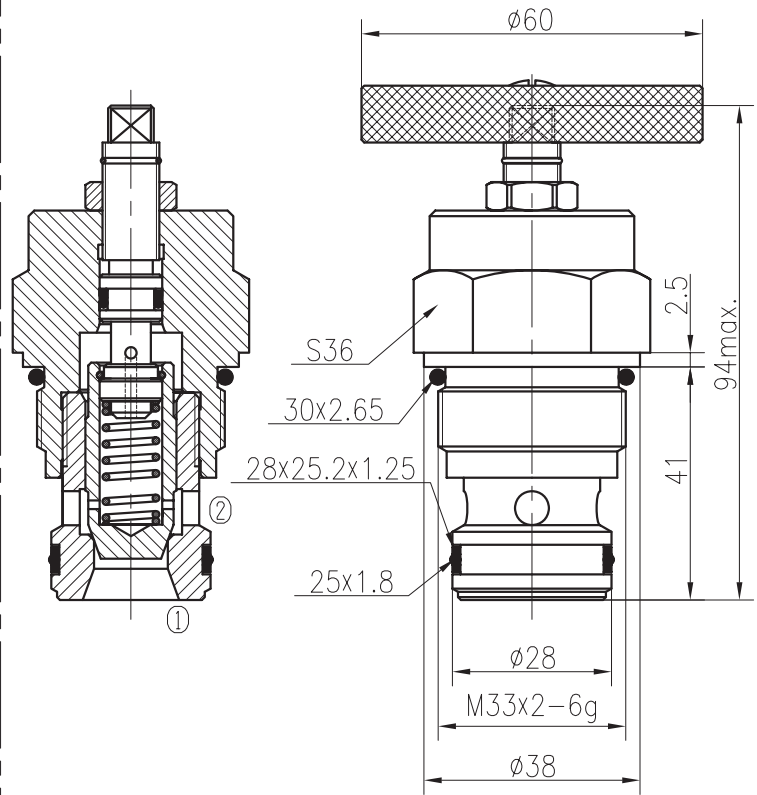
Adjustable Restriction Valves With Reverse Flow Check

BDLF12-00/X.Y.Z



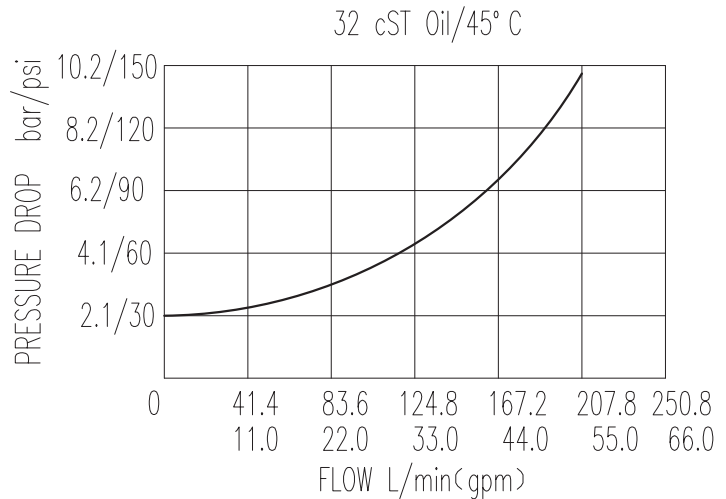
Specifications:

| | |
|------------------------|-------------------------------------|
| Max.Working Pressure : | 240bar |
| Flow Max : | 200L/min at 7bar |
| Internal Leakage : | <0.3ml/min |
| Filtration Of Oil): | 25µm or better |
| Temperature): | -30~+100°C (Standard Buna Seals) |
| Cavity : | T7-S1 |
| Installation torque : | 62.6~73.4Nm |



The valve reduce its office value from fully opened to fully close with clock-wise adjustment rotation. At the same time ,the flow from max. to shut-off.

Reverse flow from @to@ is free and no restriction.



| X | PORTING | Y | SEALS |
|---|----------------|---|--------|
| 0 | Cartridge Only | N | Buna |
| | | V | Fluor. |

| Z | ADJUSTMENTS | |
|----|---------------------------------|--|
| 05 | Leakproof hex. and socket screw | |
| 10 | Alum. Knob and Locking Nut | |