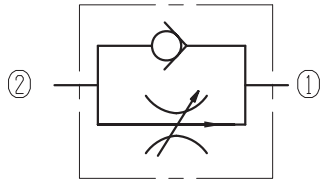


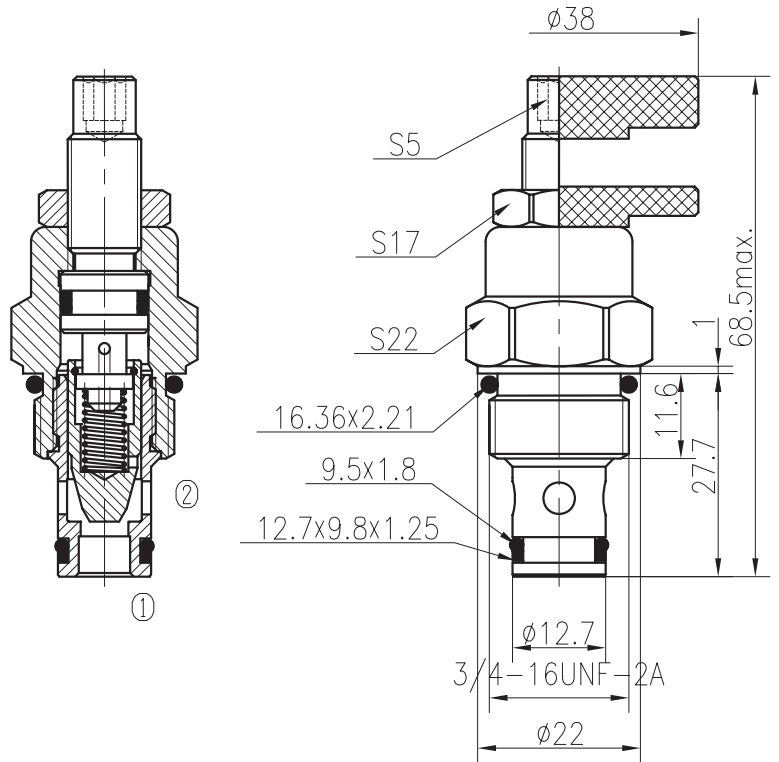
# Adjustable Restriction Valves With Reverse Flow Check

BDLF08-00/X.Y.Z



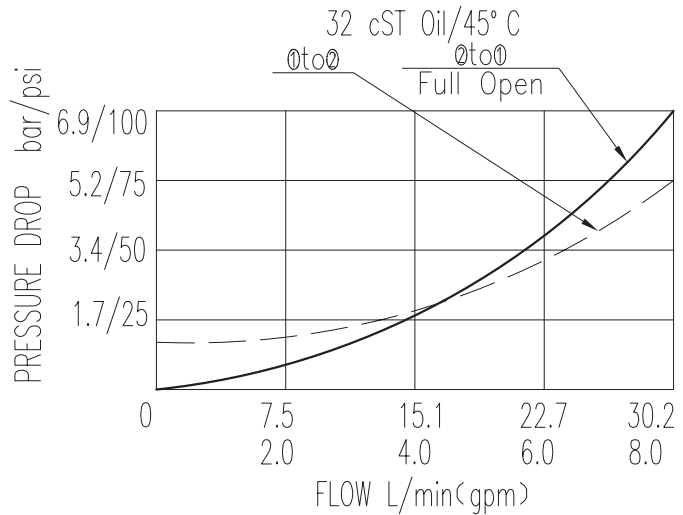
### Specifications:

Max.Working Pressure :	240bar
Flow Max :	30L/min at 7bar(Full Open)
Internal Leakage :	<0.3ml/min
Filtration Of Oil :	25μm or better
Temperature :	-30~+100°c (Standard Buna Seals)
Cavity :	T4-1
Installation torque :	24.5~27.2Nm



The valve reduce its office value from fully opened to fully close with clock-wise adjustment rotation. At the same time ,the flow from max. to shut-off.

Reverse flow from ①to② is free and no restriction.



X	PORTING	Y	SEALS	Z	ADJUSTMENTS
0	Cartridge Only	N	Buna	05	Leakproof hex. and socket screw
4G	G1/4	V	Fluor.		
8G	G3/8				
4T	SAE4				
6T	SAE6			10	Alum. Knob and Locking Nut