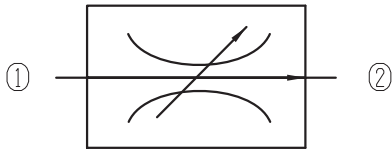


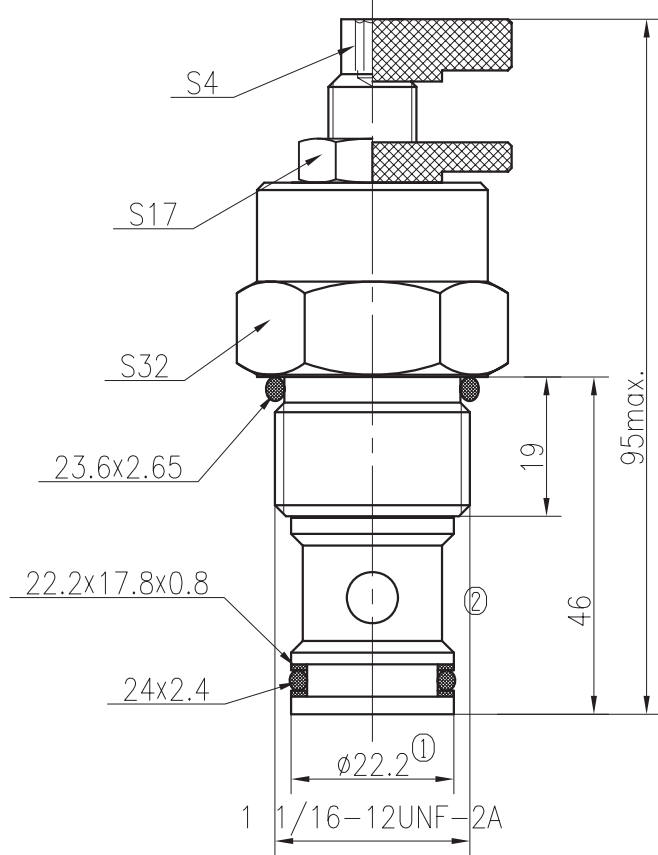
Adjustable Restriction Valves (Needle Type)

BLF12-02/X.Y.Z

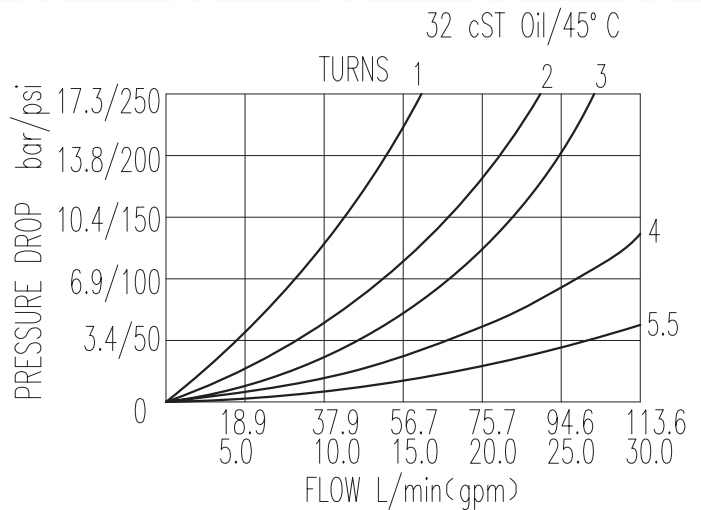


Specifications:

Max.Working Pressure :	240bar
Flow Max :	113L/min at 7bar
Internal Leakage :	≤0.3ml/min
Filtration Of Oil :	25μm or better
Temperature :	-30~+100℃ (Standard Buna Seals)
Cavity :	T6-1
Installation torque :	33.9~36.7Nm



The valve reduce its orifice value from fully opened to fully close with clock-wise adjustment rotation. At the same time ,the flow from max. to shut-off.



X	PORTING	Y	SEALS	Z	ADJUSTMENTS
0	Cartridge Only	N	Buna	05	Leakproof hex. and socket screw
4G	G3/4	V	Fluor.	10	Alum. Knob and Locking Nut
8G	G1				
10T	SAE10				
12T	SAE12				