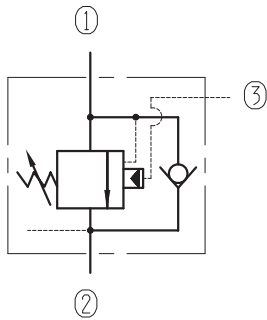
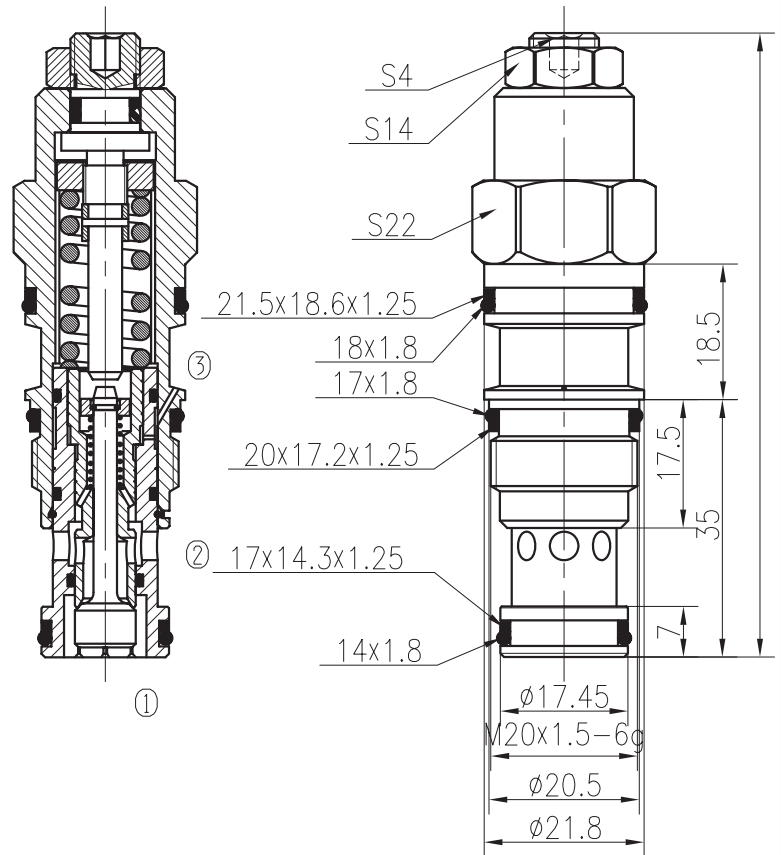


BPF12CA-03/X.Y



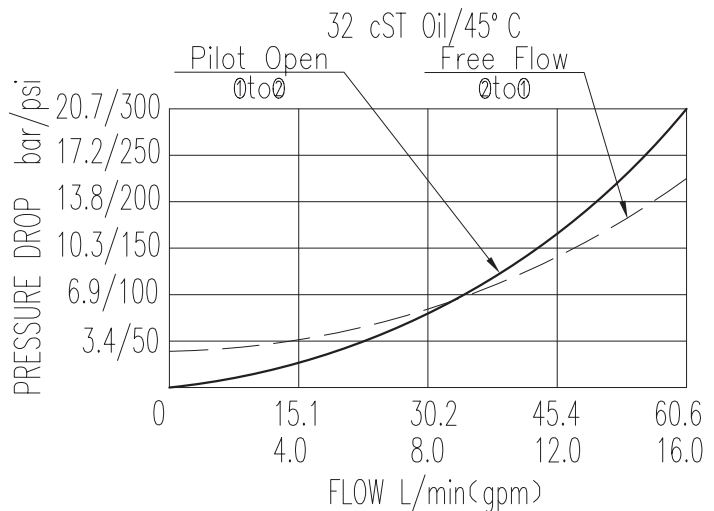
Specifications:

Max.Working Pressure :	215bar
Flow Max :	60L/min
Internal Leakage :	≤0.4ml/min
Filtration Of Oil :	25μm or better
Temperature :	-30~+100℃ (Standard Buna Seals)
Cavity :	T-11A
Installation torque :	40~50Nm
Pilot Ratio :	3.0:1



The valve controls moving load and preventing it from running ahead of the pump, locking the load in any position, it also provides static overload and thermal expansion protection.

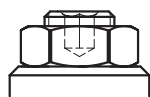
The valve allows free flow from ② to ① and blocks reverse flow until a pilot pressure proportional to the load pressure is sensed at ③ modulating flow from ② to ①.



X ADJUSTMENTS

03

Leakproof hex. and socket screw



Y SPRINGS

Y	Press. range bar	Press. increase bar/turn	Standand setting bar	Cracking press. bar
05	30~105		70	55
10	75~280		210	180