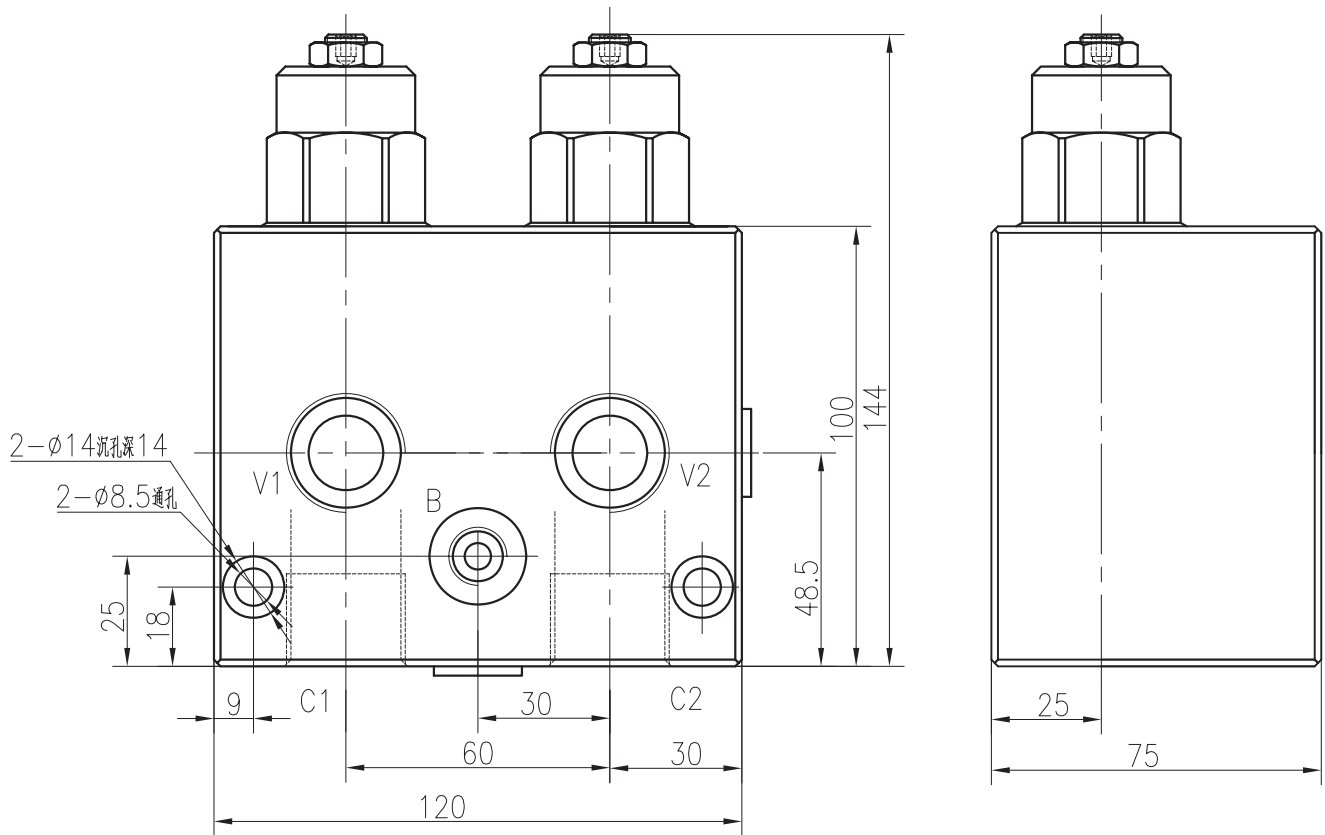


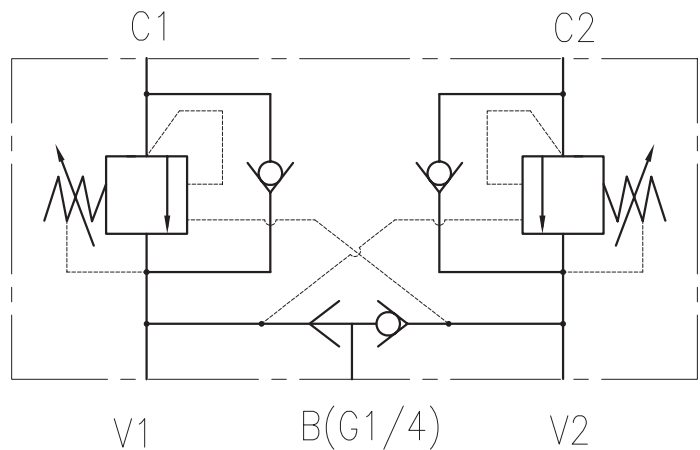
Load Control Valves

BDPF16GG-01/X.Y.Z



Specifications:

Max.Working Pressure :	270bar
Flow Max :	240L/min
Internal Leakage :	$\leq 0.4\text{ml/min}$
Filtration Of Oil :	$25\mu\text{m}$ or better
Temperature :	$-30\sim+100^{\circ}\text{C}$
	(Standard Buna Seals)
Pilot Ratio :	4.5:1



X	V1, V2 (PORTING)	Y	SEALS
27M	M27x2	N	Buna
6G	G3/4	V	Fluor.
4W	NPT3/4		
12T	SAE12		

Z	SPRINGS			
	Press. range bar	Press. increase bar/turn	Standand setting bar	Cracking press. bar
05	70~175		140	125
10	140~350		210	180