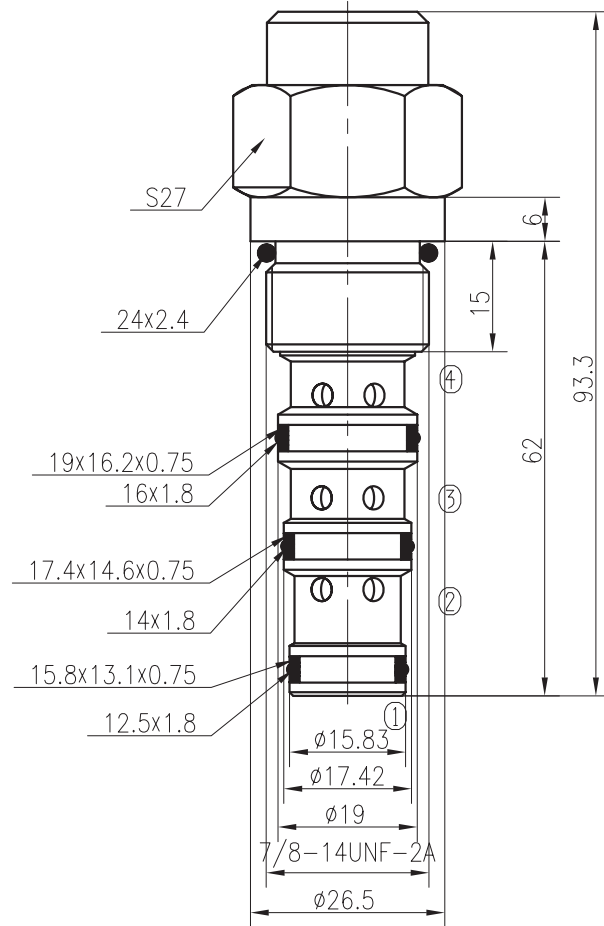
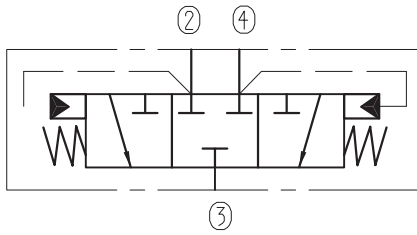


Hydraulic Operated Directional Valves

BYHF10-33H0/X.Y.Z

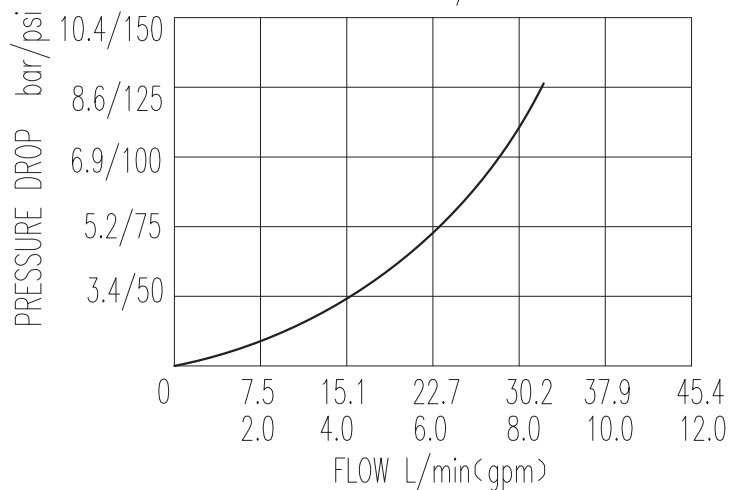


Specifications:

Max working Pressure :	350bar
Flow Max :	25L/min
Internal Leakage :	$\leq 80\text{ml/min}$ at 210bar
Filtration Of Oil :	25 μm or better
Temperature :	-30~+100 $^{\circ}\text{C}$ (Standard Buna Seals)
Cavity :	T5-3
Installation torque :	33.9~36.7Nm

In neutral state(unpiloted),the valve allows flow from ②to④ bidirectionally.When pilot port ① is applied sufficient pressure the valve allows flow from ② to ④ and block flow from ④to② bidirectionally. Back pressure at ④ will increase the pilot pressure required at ① to shift at a ratio 1:1.

32 cST Oil/45° C



X	PORTING	Y	SEALS
0	Cartridge Only	N	Buna
4G	G1/4	V	Fluor.
8G	G3/8		
4T	SAE4		
6T	SAE6		

Z	SPRINGS	
	Full Shift Pressure bar	Full Shift Pressure bar
05	3.2	
10	6.3	
15	11.4	