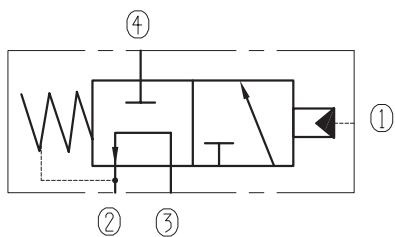


Hydraulic Operated Directional Valves

BYHF10-232/X.Y.Z



Specifications:

Max working Pressure : 210bar

Flow Max : 18L/min

Internal Leakage : $\leq 60\text{ml/min}$ at 210bar

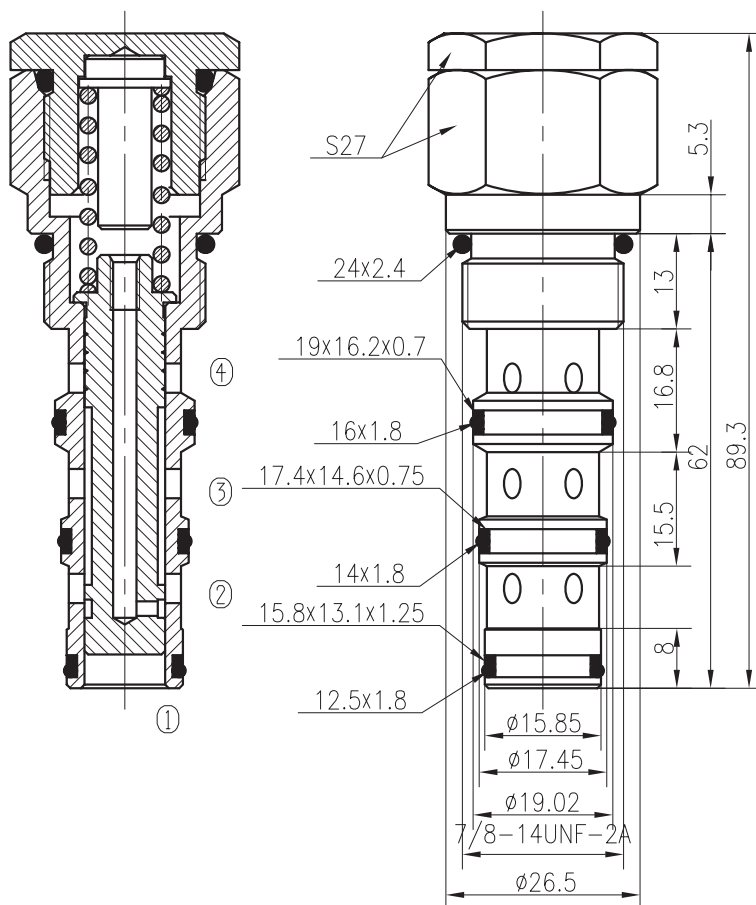
Filtration Of Oil : $25\mu\text{m}$ or better

Temperature : $-30\sim+100^{\circ}\text{C}$
(Standard Buna Seals)

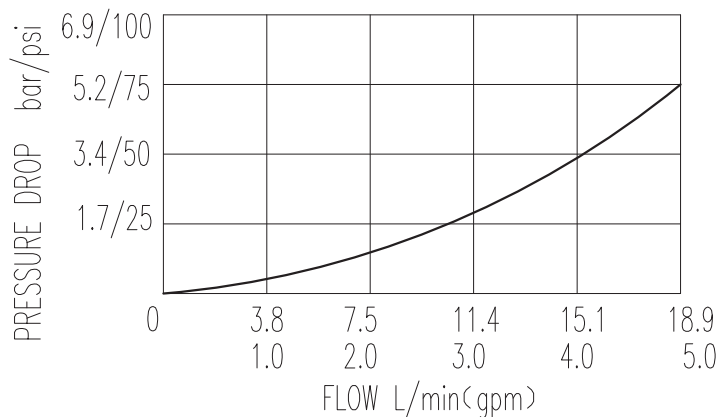
Cavity : T5-3

Installation torque : 33.9~36.7Nm

In neutral state(unpiloted),the valve allows flow from ①to②.When pilot port ③ is applied sufficient pressure the valve allows flow from ① to ④.



32 cST Oil/45° C



X	PORTING	Y	SEALS
0	Cartridge Only	N	Buna
4G	G1/4	V	Fluor.
8G	G3/8		
4T	SAE4		
6T	SAE6		

Z	SPRINGS	
	Full Shift Pressure bar	Full Shift Pressure bar
05	2~4	
10	4~7	
15	9~15	