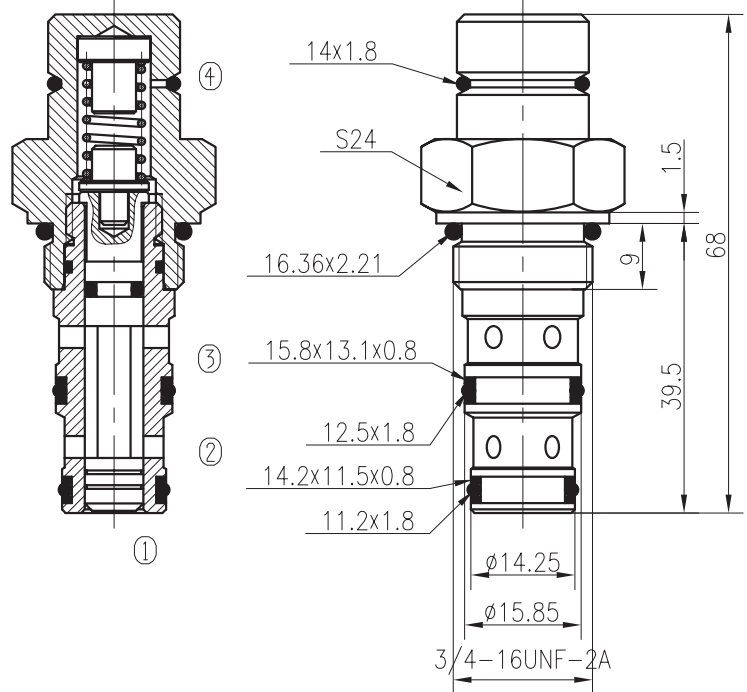
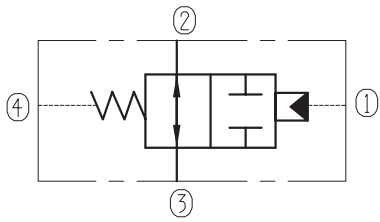


# Hydraulic Operated Directional Valves

BYHF08-225/X.Y.Z



**Specifications:**

Max working Pressure : 210bar

Flow Max : 20L/min

Internal Leakage : <80ml/min at 210bar

Filtration Of Oil : 25µm or better

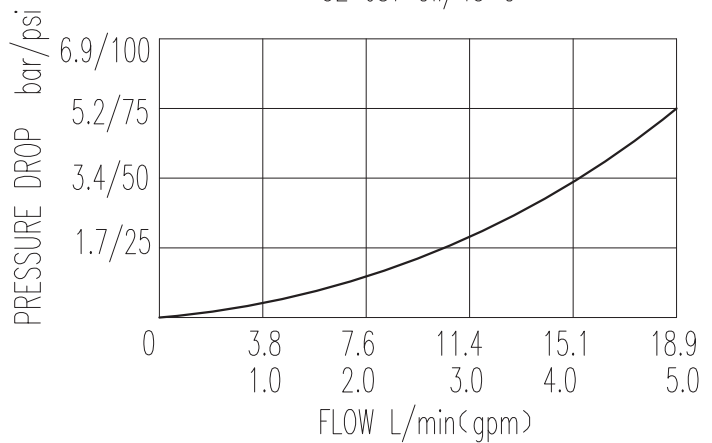
Temperature): -30~+100°C  
(Standard Buna Seals)

Cavity : T4-2

Installation torque : 24.5~27.2Nm

In neutral state(unpiloted),the valve allows flow from port 2 to port 3 bidirectionally.When pilot port 1 is applied sufficient pressure,the valve shift to block port 2 to port 3 bidirectionally.

32 cST Oil/45° C



X	PORTING	Y	SEALS
0	Cartridge Only	N	Buna
4G	G1/4	V	Fluor.
8G	G3/8		
4T	SAE4		
6T	SAE6		

Z	SPRINGS	
	Full Shift Pressure bar	Full Shift Pressure bar
05	5.5	
10	7.8	