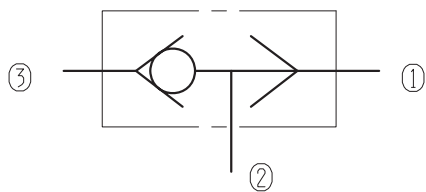


# Shuttle Valves

BSF10-00/X.Y



## Specifications:

Max working Pressure : 240bar

Flow Max : 30L/min

Internal Leakage : <math>\le 0.3\text{ml/min}</math> at 210bar

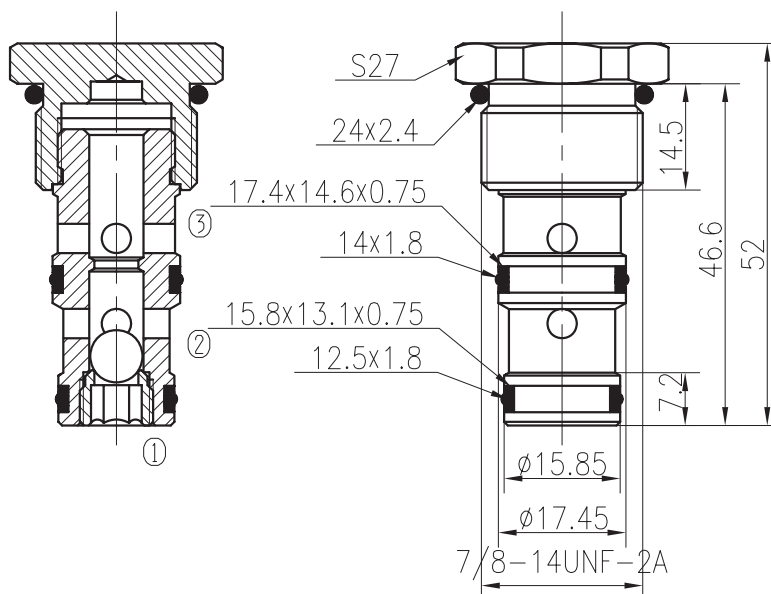
Filtration Of Oil : 25 $\mu\text{m}$  or better

Temperature : -30~+100 $^{\circ}\text{C}$   
(Standard Buna Seals)

Cavity : T5-2

Installation torque : 33.9~36.7Nm

Standard Block Model T5-21\*/23\*/24\*/26\*

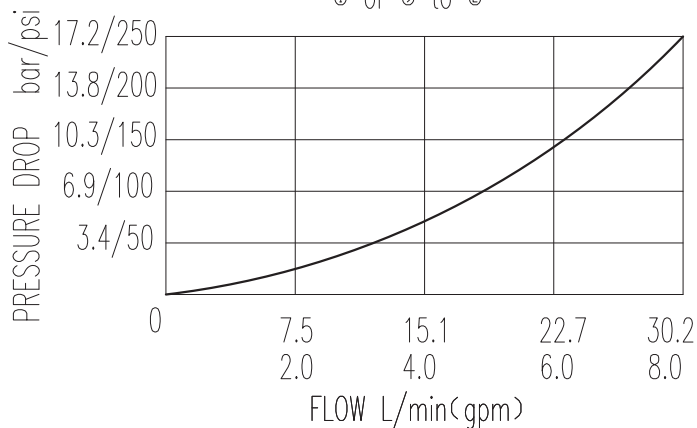


The valve allows flow from the higher pressure of ① or ③ port to the ② port, while block the lower pressure port.

The valve is commonly used to direct oil from the pressure side of a bidirectional hydraulic motor to a pressure-released hydraulic brake.

32 cST Oil/45 $^{\circ}\text{C}$

① or ③ to ②



X	PORTING	Y	SEALS
0	Cartridge Only	N	Buna
4G	G1/4	V	Fluor.
8G	G3/8		
4T	SAE4		
6T	SAE6		

Z	SPRINGS	
	Cracking Pressure bar	Cracking Pressure bar