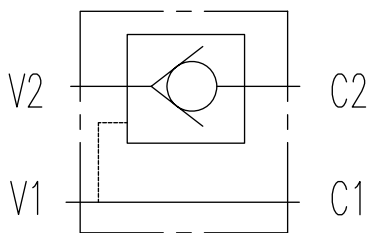


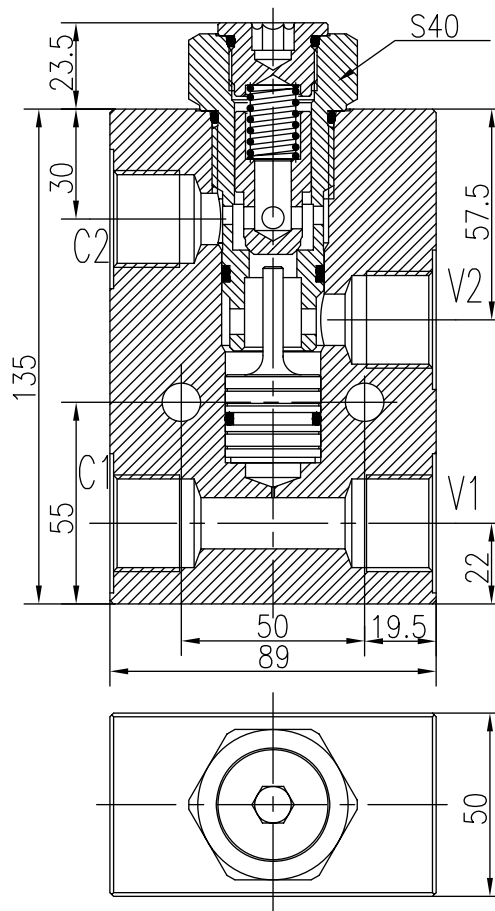
Hydraulic Operated Check Valves (Poppet-type)

BFYDF20-02/X.Y.Z



Specifications:

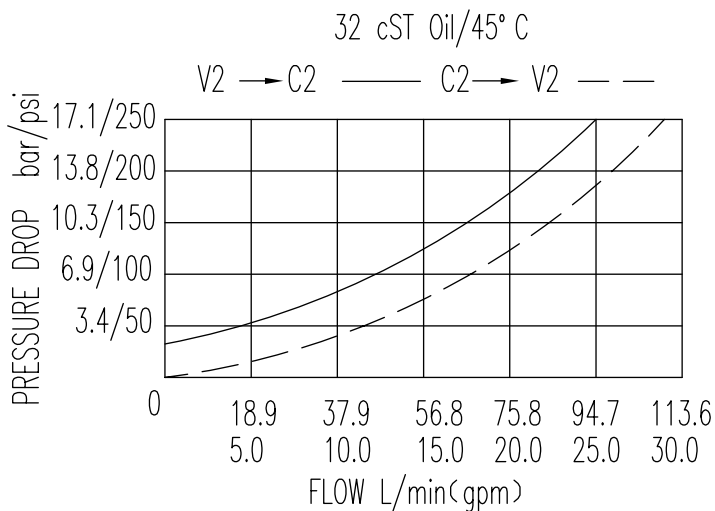
Max working Pressure :	207/350bar
Flow Max :	100L/min
Internal Leakage :	≤0.3ml/min at 210bar
Filtration Of Oil :	25μm or better
Temperature :	-30~+100℃ (Standard Buna Seals)
Body Material :	Al Lc4/Steel 45



The valve allows flow from V2 to C2 with very low pressure drop, while blocks flow from C2 to V2.

The valve blocks flow from C2 to V2 until sufficient pressure is applied at V1.

The valve has a 4.0:1 pilot ratio, meaning that at least 1/4.0 of the load pressure held at V2 is required at V1 to open the valve.



X	PORTING MATERIAL		Y	SEALS
5GA	Lc4	G3/4	N	Buna
12TA	Lc4	SAE12	V	Fluor
5GS	45	G3/4		
12TS	Steel 45	SAE12		

Z	SPRINGS	
	Cracking Pressure bar	Cracking Pressure bar
05	2	
10	7	