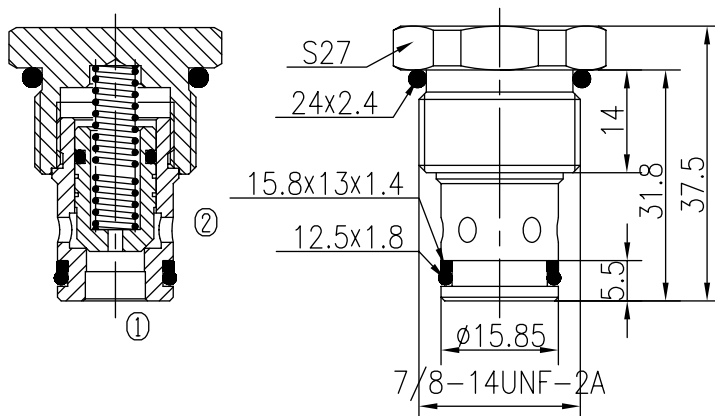
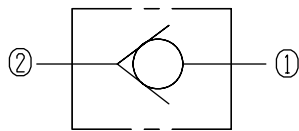


Reverse Check Valves (Poppet-type)

BFDF10-00/X.Y.Z

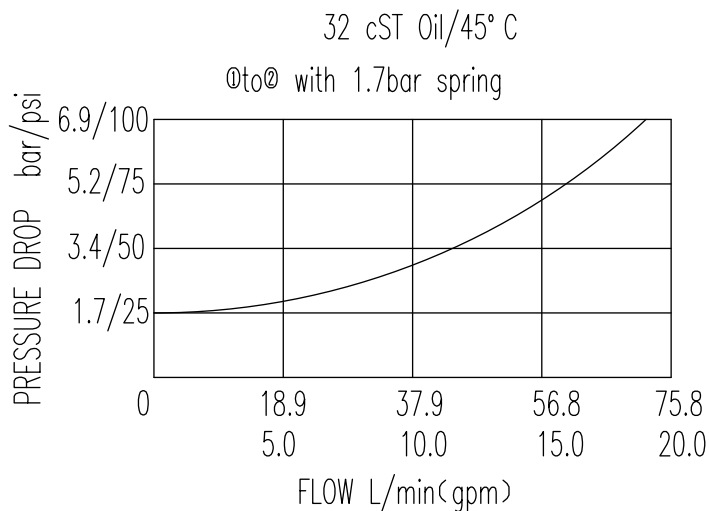


Specifications:

Max working Pressure :	240bar
Flow Max :	75L/min
Internal Leakage :	$\leq 0.3\text{ml/min}$ at 210bar
Filtration Of Oil :	25 μm or better
Temperature :	-30~+100 $^{\circ}\text{C}$ (Standard Buna Seals)
Cavity :	T5-1
Installation torque :	33.9~36.7Nm
Standard Block Model	T5-11*/13*/14*/16*

The valve allows flow from ② to ① with very low pressure drop, while blocks flow from ① to ②.

The valve blocks flow from ① to ② until sufficient pressure is applied at ②.



X	PORTING	Y	SEALS
0	Cartridge Only	N	Buna
4G	G1/4	V	Fluor
8G	G3/8		
4T	SAE4		
6T	SAE6		

Z	SPRINGS	
	Cracking Pressure bar	Cracking Pressure bar
05	1.7	
10	2.6	
15	4	