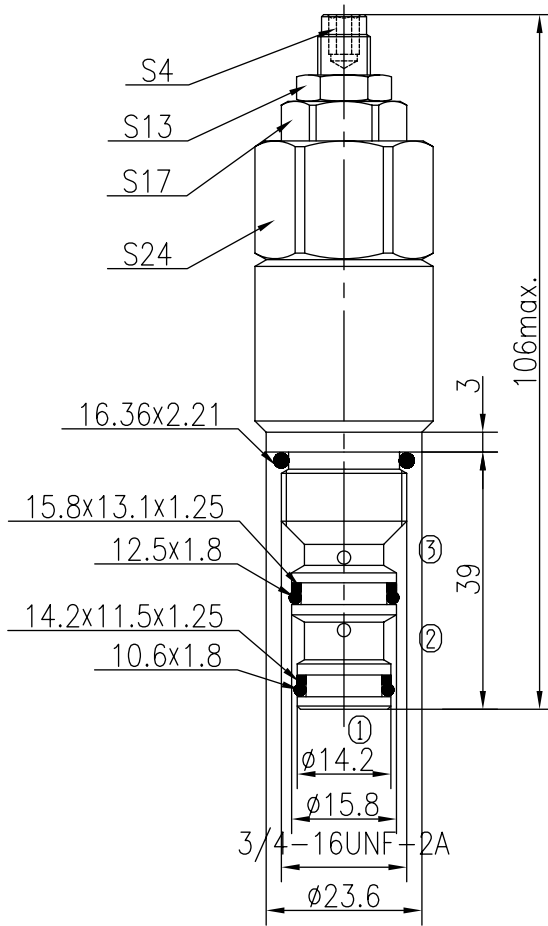
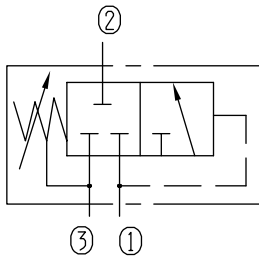


# Direct-acting Sequence Valves (Internal Pilot and External Drain)

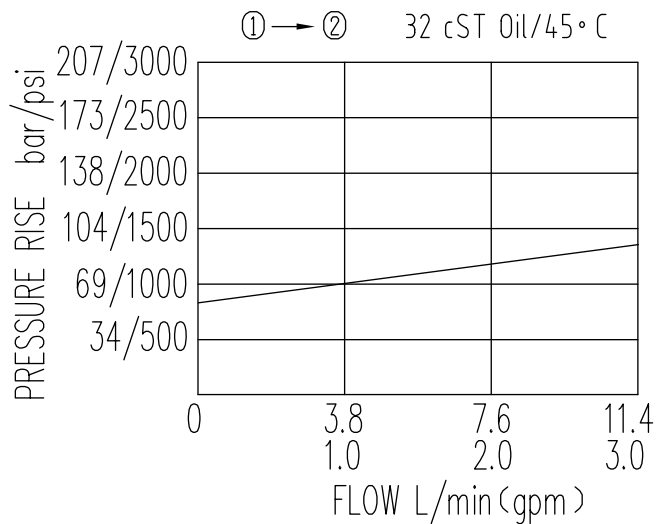
BZS08-01/X.Y

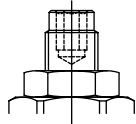


## Specifications:

Max working Pressure :	160bar
Flow Max :	11L/min
Internal Leakage :	<80ml/min at 210bar
Filtration Of Oil :	25µm or better
Temperature :	-30~+100°C (Standard Buna Seals)
Cavity :	T4-2
Installation torque :	24.5~27.2Nm

In its steady state, the valve blocks flow from ① to ②, with the spring chamber drained at ③. On attainment of a pre-determining pressure at ③, the valve shifts to open ① to ②.



X	ADJUSTMENTS	
03	Leakproof hex. and Socket Screw	

Y	SPRINGS			
	Press. range bar	Press. increase bar/turn	Standard setting bar	Cracking press. bar
05	3~30		30	
10	5~60		50	
15	10~100		80	
20	20~160		100	