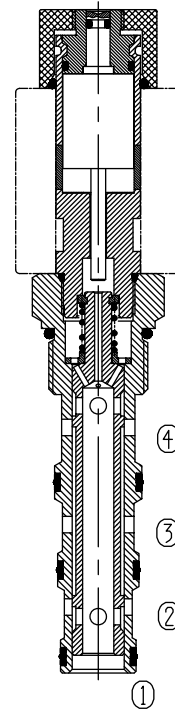


Four Way Two Position (Spool-type)

BST12-242

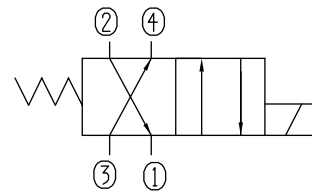
Description of the process

When de-energized, the valve allows flow from ③ to ④, and from ② to ①;
 When energized, the valve allows flow from ③ to ②, and from ④ to ①.

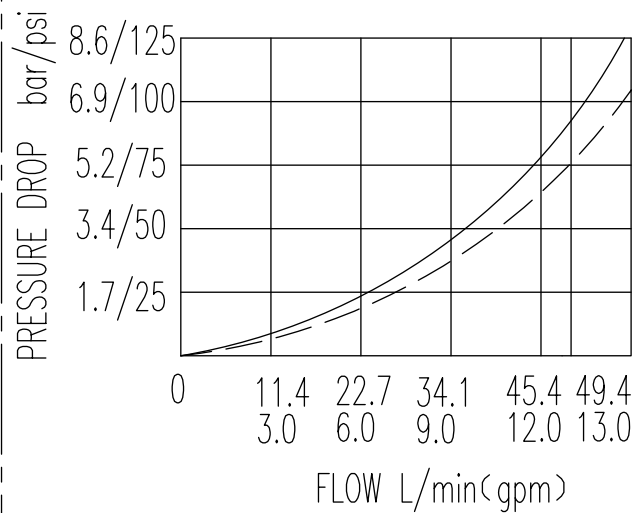
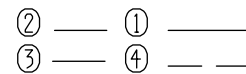


Specifications:	210bar
Max. Working Pressure	See Performance
Flow Max.	<80ml/min at 210bar
Operating Volt	12VDC, 24VDC, 110VAC, 220VAC
Min Voltage Requires	85% of normal voltage
Filtration Of Oil	20μm or better
Type of Standard Cavity	T6-3
Temperature	-30~+100℃ Standard Buna Seals
Standard Block Model	T6-31*/33*/34*/36*

Symbol:



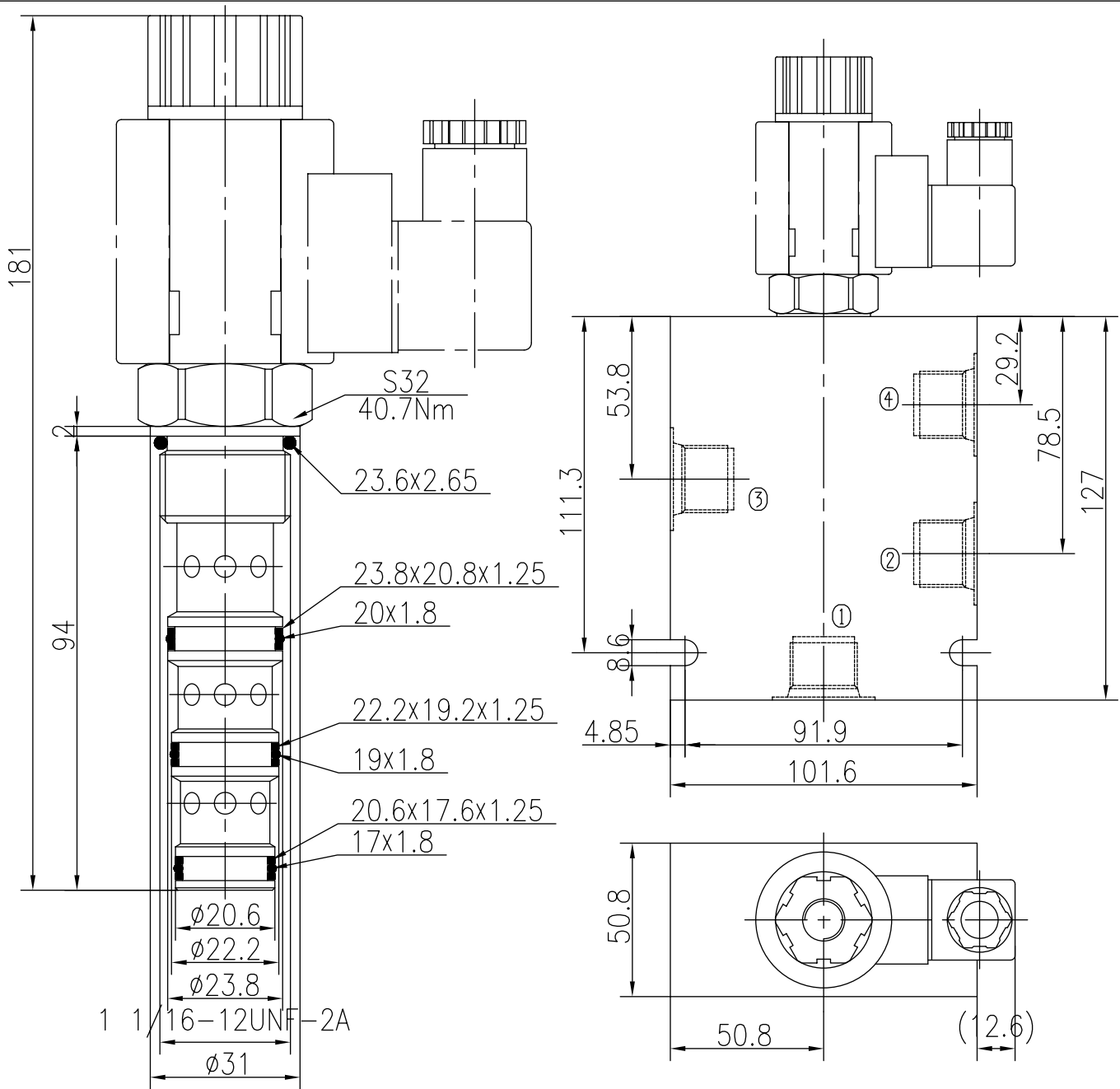
Characteristic: 32 cST Oil/40°C



Four Way Two Position (Spool-type)

BST12-242

Profile dimensions



TO ORDER

BST12-242

Solenoid Valve
Function

Body Porting

Omit for Cartridge only

G3/4 5G
G1 6G
SAE10 10T
SAE12 12T

Seals

Buna(Std.) N

Fluorocarbon V

Voltage

12 12VDC
24 24VDC

Connection

DL Double Leads

DH Electrical Outlet