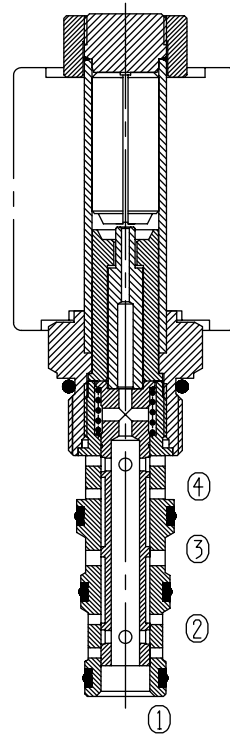


Four Way Two Position (Spool-type)

BST10-241

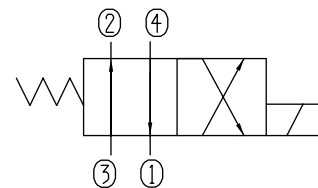
Description of the process

When de-energized, the valve allows flow from ③ to ②, and ① to ④;
 When energized, the valve allows flow between ③ to ④, as well as ② to ①.



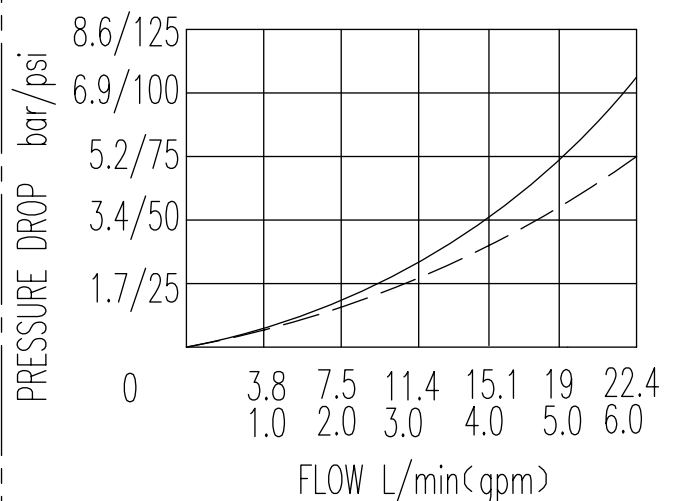
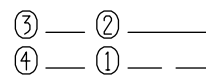
Specifications:	210bar
Max. Working Pressure	See Performance
Flow Max.	<120ml/min at 210bar
Operating Volt	12VDC, 24VDC, 110VAC, 220VAC
Min Voltage Requires	85% of normal voltage
Filtration Of Oil	20μm or better
Type of Standard Cavity	T5-3
Temperature	-30~+100℃ Standard Buna Seals
Standard Block Model	T5-31*/33*/34*/36*

Symbol:



Characteristic:

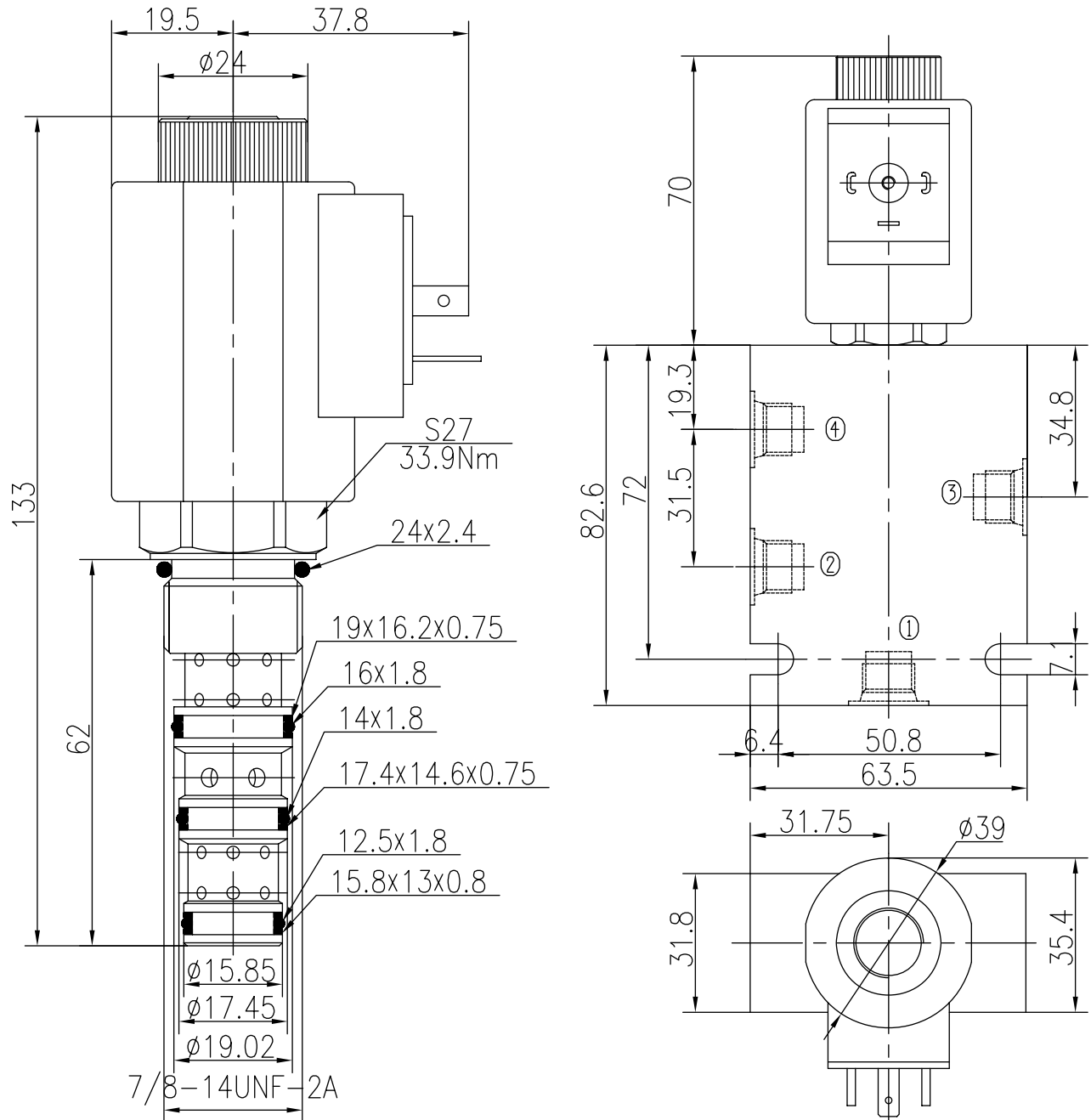
32 cST Oil/40 °C



Four Way Two Position (Spool-type)

BST10-241

Profile dimensions



TO ORDER

BST10-241

Solenoid Valve
Function

Body Porting

Omit for Cartridge only

G1/4 4G
G3/8 8G
SAE4 4T
SAE6 6T

Seals

Buna(Std.) N

Fluorocarbon V

Voltage

12 12VDC

24 24VDC

110 110VAC

220 220VAC

Connection

DL Double Leads

DH Electrical Outlet