

Three Way Two Position (Spool-type)

BST12-232

Description of the process

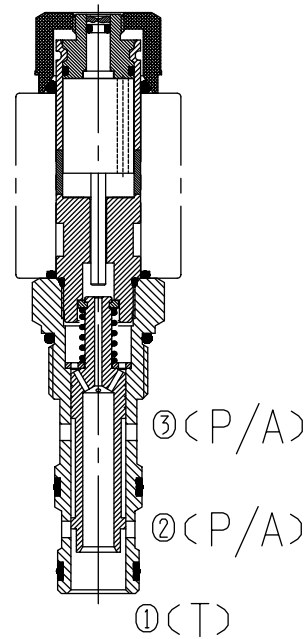
When de-energized, the valve allows flow from ② to ①, while blocking flow at ③.

When energized, the valve allows flow from ③ to ②, while blocking flow at ①.

P--- (PRESSURE PORT)

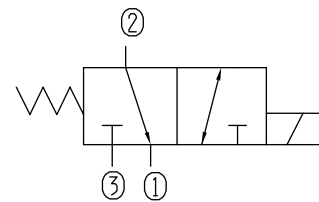
A--- (WORKING PORT)

T--- (TANK PORT)



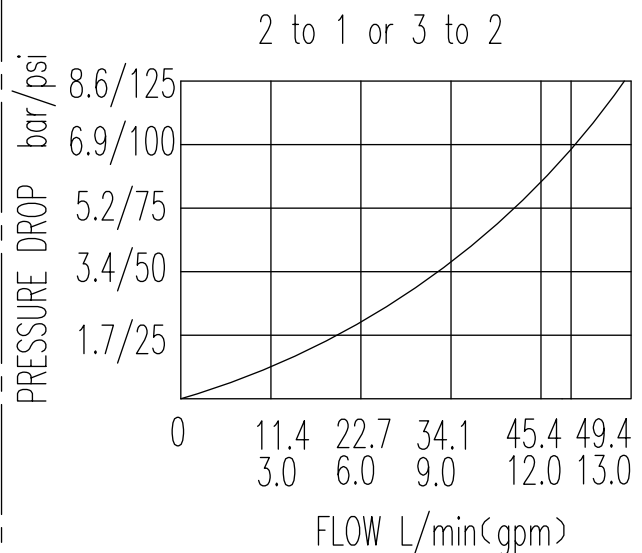
Specifications:	210bar
Max. Working Pressure	See Performance
Flow Max.	<330ml/min at 210bar
Operating Volt	12VDC, 24VDC, 110VAC, 220VAC
Min Voltage Requires	85% of normal voltage
Filtration Of Oil	20μm or better
Type of Standard Cavity	T6-2
Temperature	-30~+100℃ Standard Buna Seals
Standard Block Model	T6-21*/23*/24*/26*

Symbol:



32 cST Oil/40°C

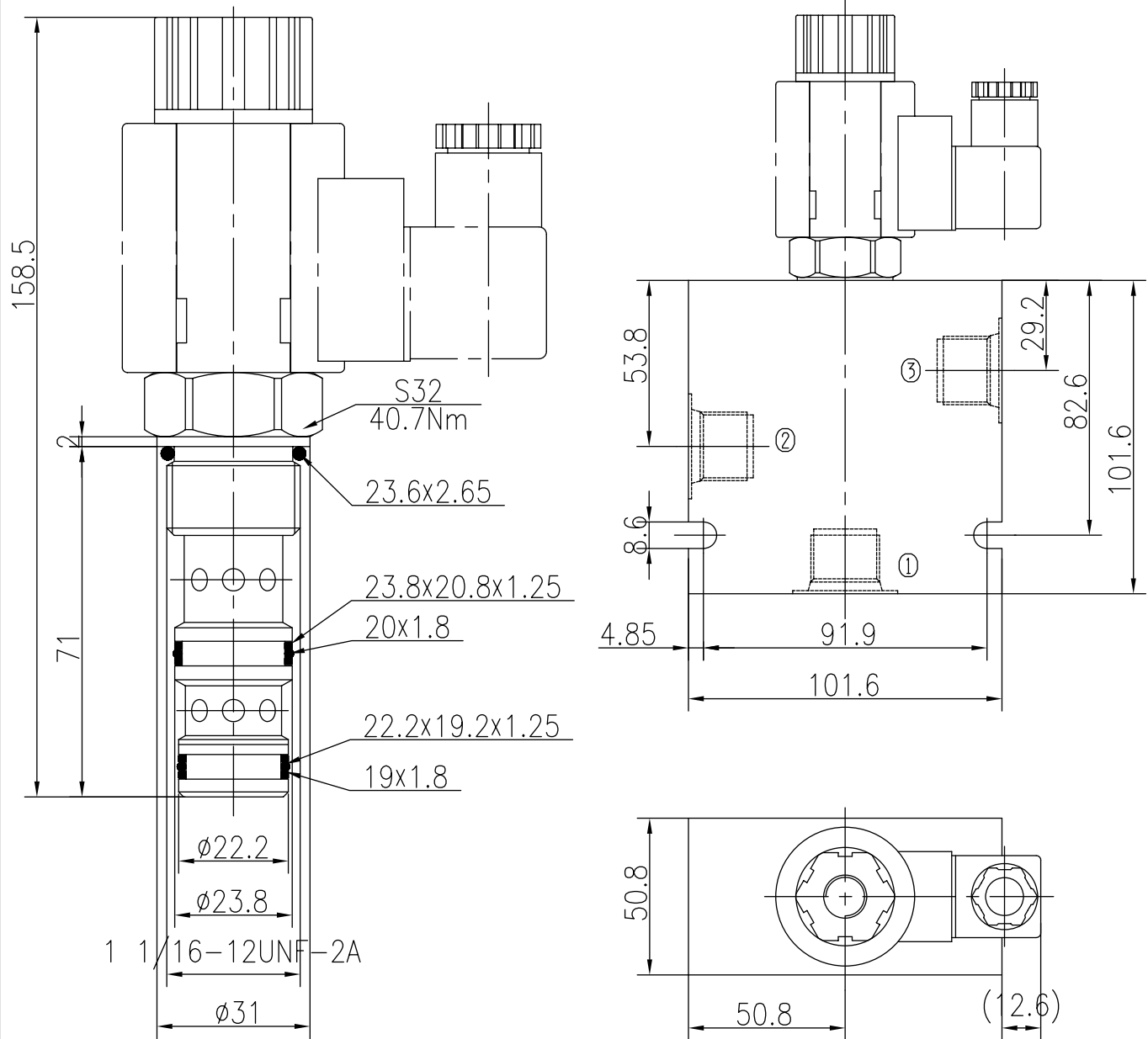
Characteristic:



Three Way Two Position (Spool-type)

BST12-232

Profile dimensions



TO ORDER

BST12-232

Solenoid Valve
Function

Body Porting

Omit for Cartridge only

G3/4 5G
G1 6G
SAE10 10T
SAE12 12T

Seals

Buna(Std.) N

Fluorocarbon V

Voltage

12 12VDC
24 24VDC

Connection

DL Double Leads

DH Electrical Outlet