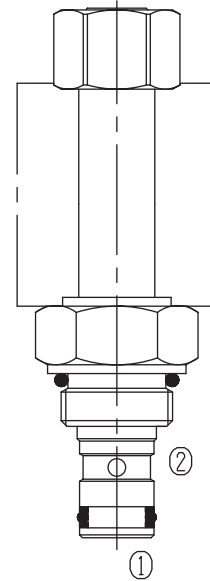


Two Way Two Position (Poppet-type)

BST08-228 Bidirectional Normally Closed

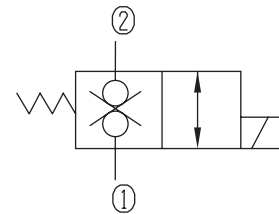
Description of the process

When de-energized, the valve blocks flow in both directions,
 When energized, allowing flow from ② to ① and ① to ②.

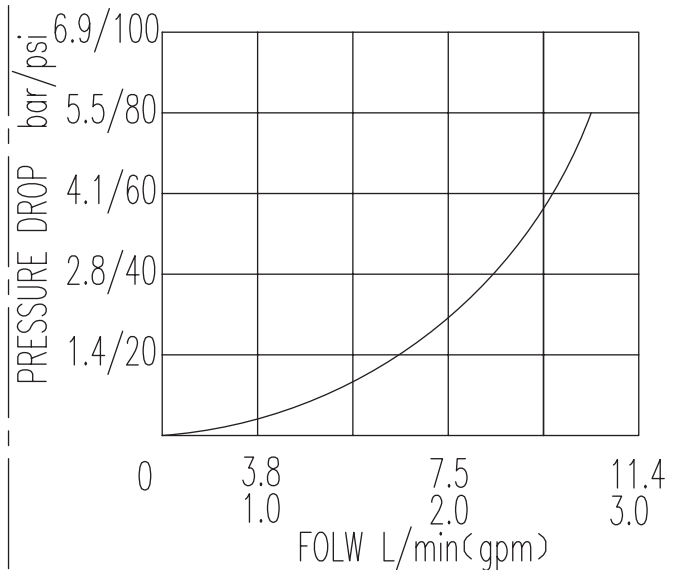


Specifications:	250bar
Max. Working Pressure	See Performance
Flow Max.	0.3ml/min at 210bar
Internal Leakage	5drops/min
Operating Volt	12VDC, 24VDC, 110VAC, 220VAC
Min Voltage Requires	85% of normal voltage
Filtration Of Oil	20μm or better
Type of Standard Cavity	T4-1
Temperature	-30~+100℃ Standard Buna Seals
Standard Block Model	T4-11*/13*/14*/16*

Symbol:



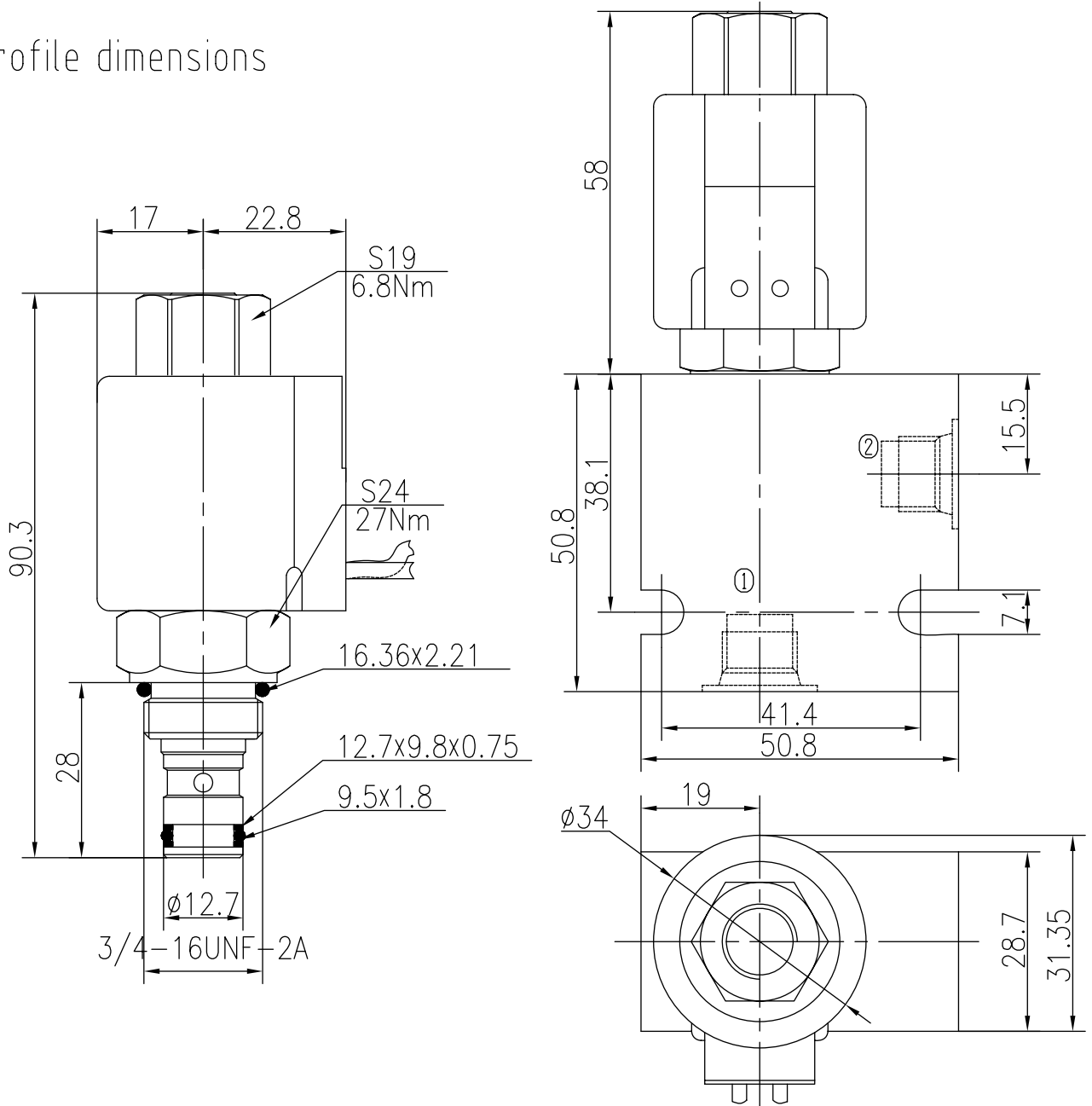
Characteristic: 32 cST Oil/40°C



Two Way Two Position (Poppet-type)

BST08-228 Bidirectional Normally Closed

Profile dimensions



TO ORDER

BST08 - 228

Solenoid Valve

Function

None(Blank)

Manual Override H

Body Porting

Omit for Cartridge only

G1/4 4G
G3/8 8G
SAE4 4T
SAE6 6T

Seals

Buna(Std.) N

Fluorocarbon V

Voltage

12 12VDC

24 24VDC

110 110VAC

220 220VAC

Connection

DL Double Leads

DH Electrical Outlet