

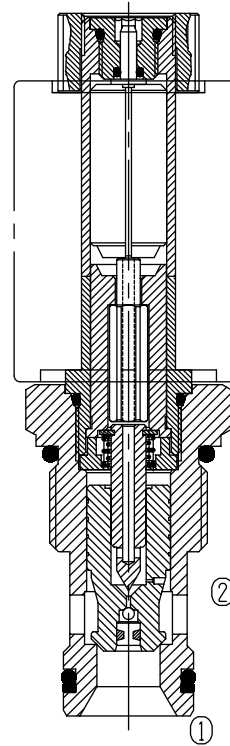
# Two Way Two Position (Poppet-type)

BST12-223

Normally Open

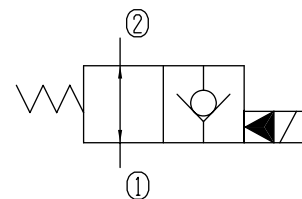
## Description of the process

When energized, the valve acts as a check valve, allowing flow from ② to ①, while blocking flow from ① to ②. When de-energized, allowing flow from ② to ① and ① to ②. To override, push button and remain, the valve blocking flow from ② to ①; Release the button, then the valve allowing flow from ② to ① and ① to ②.



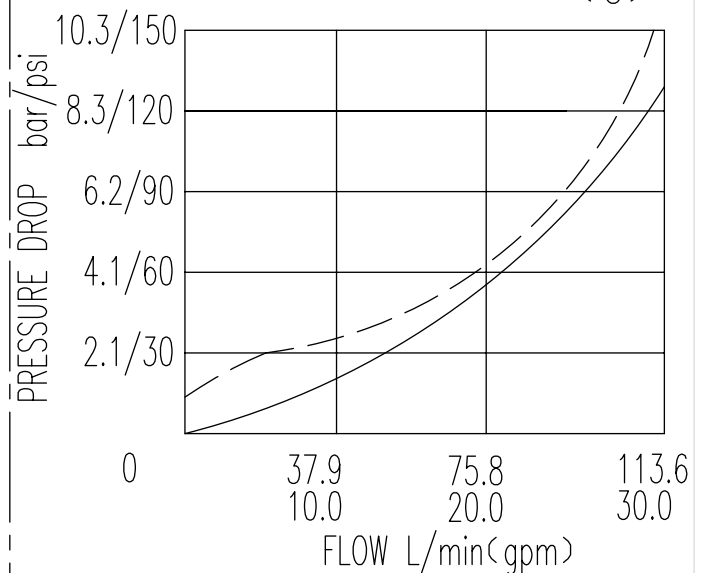
Specifications:	250bar
Max. Working Pressure	See Performance
Flow Max.	0.3ml/min at 210bar
Internal Leakage	5drops/min
Operating Volt	12VDC, 24VDC, 110VAC, 220VAC
Min Voltage Requires	85% of normal voltage
Filtration Of Oil	20μm or better
Type of Standard Cavity	T6-1
Temperature	-30~+100℃ Standard Buna Seals
Standard Block Model	T6-11*/13*/14*/16*

Symbol:



Characteristic: 32 cST Oil/40°C

② — ① — (d)  
① — ② — (e)

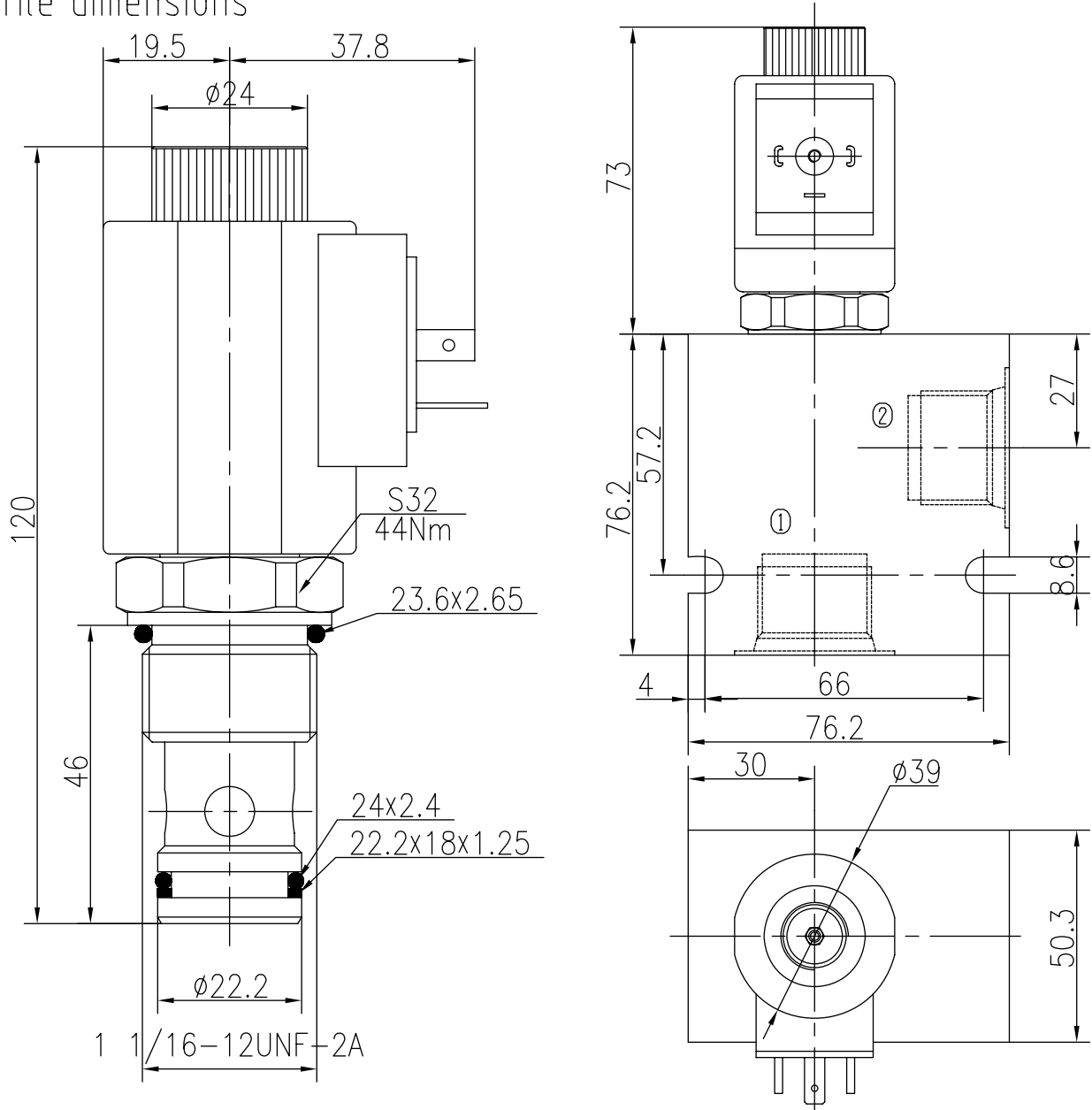


# Two Way Two Position (Poppet-type)

BST12-223

Normally Open

## Profile dimensions



TO ORDER

BST12 - 223

Solenoid Valve  
Function

Body Porting

Omit for Cartridge only

G3/4 5G  
G1 6G  
SAE10 10T  
SAE12 12T

Seals

Buna(Std.) N

Fluorocarbon V

Voltage

12 12VDC

24 24VDC

110 110VAC

220 220VAC

Connection

DL Double Leads

DH Electrical Outlet