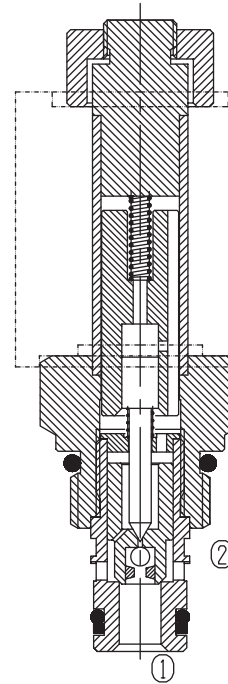


# Two Way Two Position (Poppet-type)

BST08-222 Normally Closed

## Description of the process

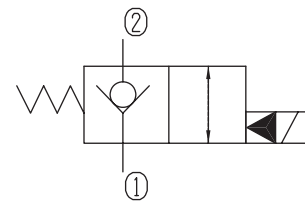
When de-energized, the valve acts as a check valve, allowing flow from ① to ②, while blocking flow from ② to ①; When energized, allowing flow from ① to ① and ① to ②.



## Specifications:

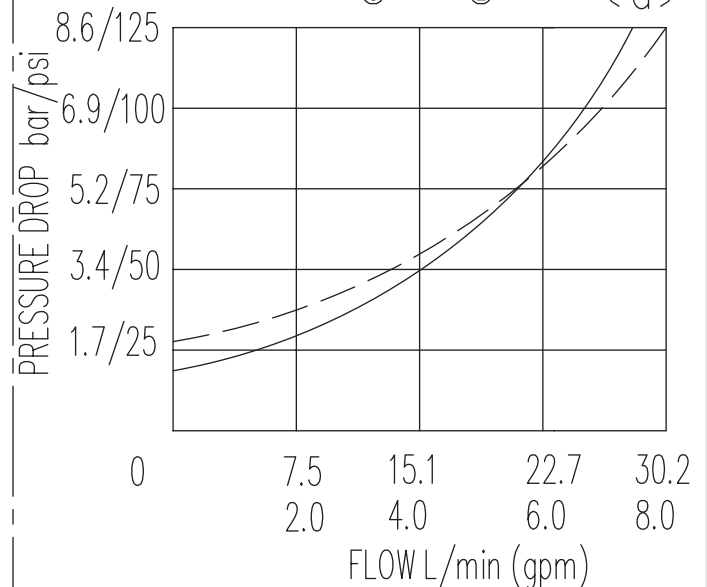
Max. Working Pressure	250bar
Flow Max.	See Performance 0.3ml/min at 210bar
Internal Leakage	5drops/min
Operating Volt	12VDC, 24VDC, 110VAC, 220VAC
Min Voltage Requires	85% of normal voltage
Filtration Of Oil	20μm or better
Type of Standard Cavity	T4-1
Temperature	-30~+100°C Standard Buna Seals
Standard Block Model	T4-11*/13*/14*/16*

## Symbol:



## Characteristic: 32 cST Oil/40°C

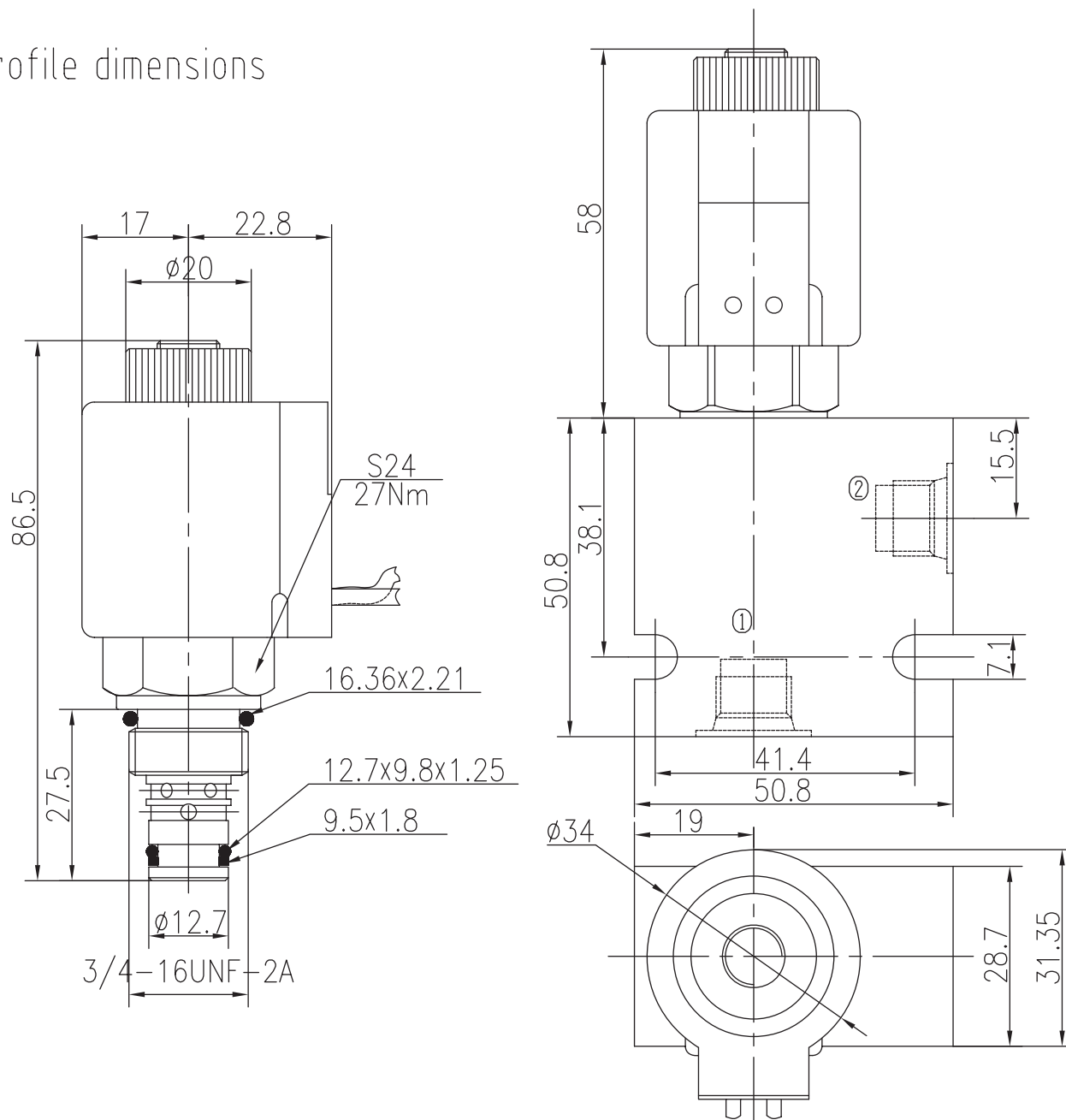
② — ① — (e)  
① — ② — (d)



# Two Way Two Position (Poppet-type)

BST08-222 Normally Closed

## Profile dimensions



TO ORDER

BST08 -222

Solenoid Valve  
Function

Body Porting

Omit for Cartridge only

G1/4 4G  
G3/8 8G  
SAE4 4T  
SAE6 6T

Seals

Buna(Std.) N

Fluorocarbon V

Voltage

12 12VDC  
24 24VDC  
110 110VAC  
220 220VAC

Connection

DL Double Leads  
DH Electrical Outlet