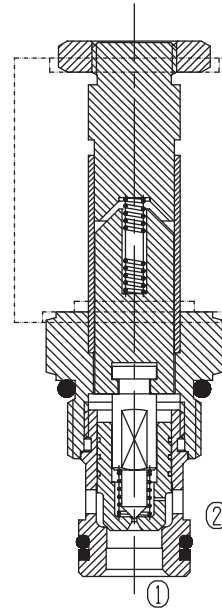


Two Way Two Position (Poppet-type)

BST08S-220 Normally Closed

Description of the process

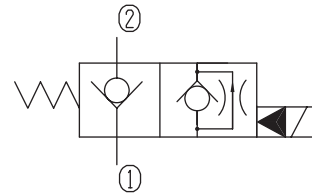
When de-energized, the valve acts as a check valve, allowing flow from ① to ②, while blocking flow from ② to ①; When energized, allowing flow from ② to ①, while ① to ② is severely restricted. To override, push button in, twist counter-clockwise 90° and release, the valve will remain open; push button in, twist clockwise 90° and release, the valve will remain close.



Specifications:

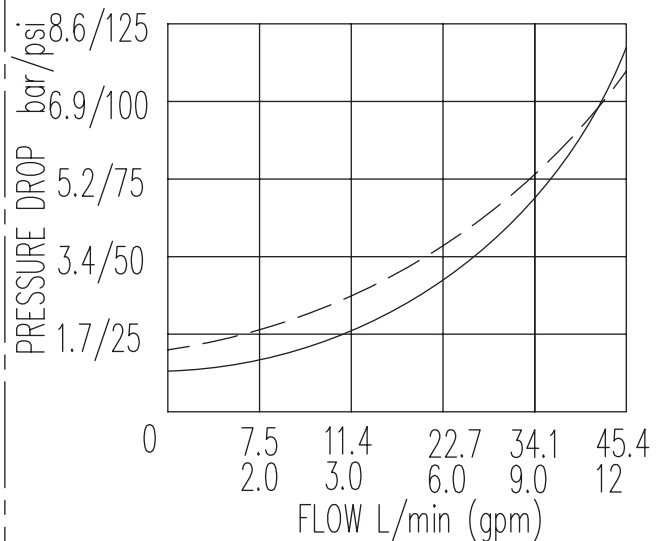
Max. Working Pressure	250bar
Flow Max.	See Performance 0.3ml/min at 210bar
Internal Leakage	5drops/min
Operating Volt	12VDC, 24VDC, 110VAC, 220VAC
Min Voltage Requires	85% of normal voltage
Filtration Of Oil	20μm or better
Type of Standard Cavity	T4-1
Temperature	-30~+100°C Standard Buna Seals
Standard Block Model	T4-11*/13*/14*/16*

Symbol :



Performance : 32 cST Oil/45°C

② — ① ———
① — ② - - - -

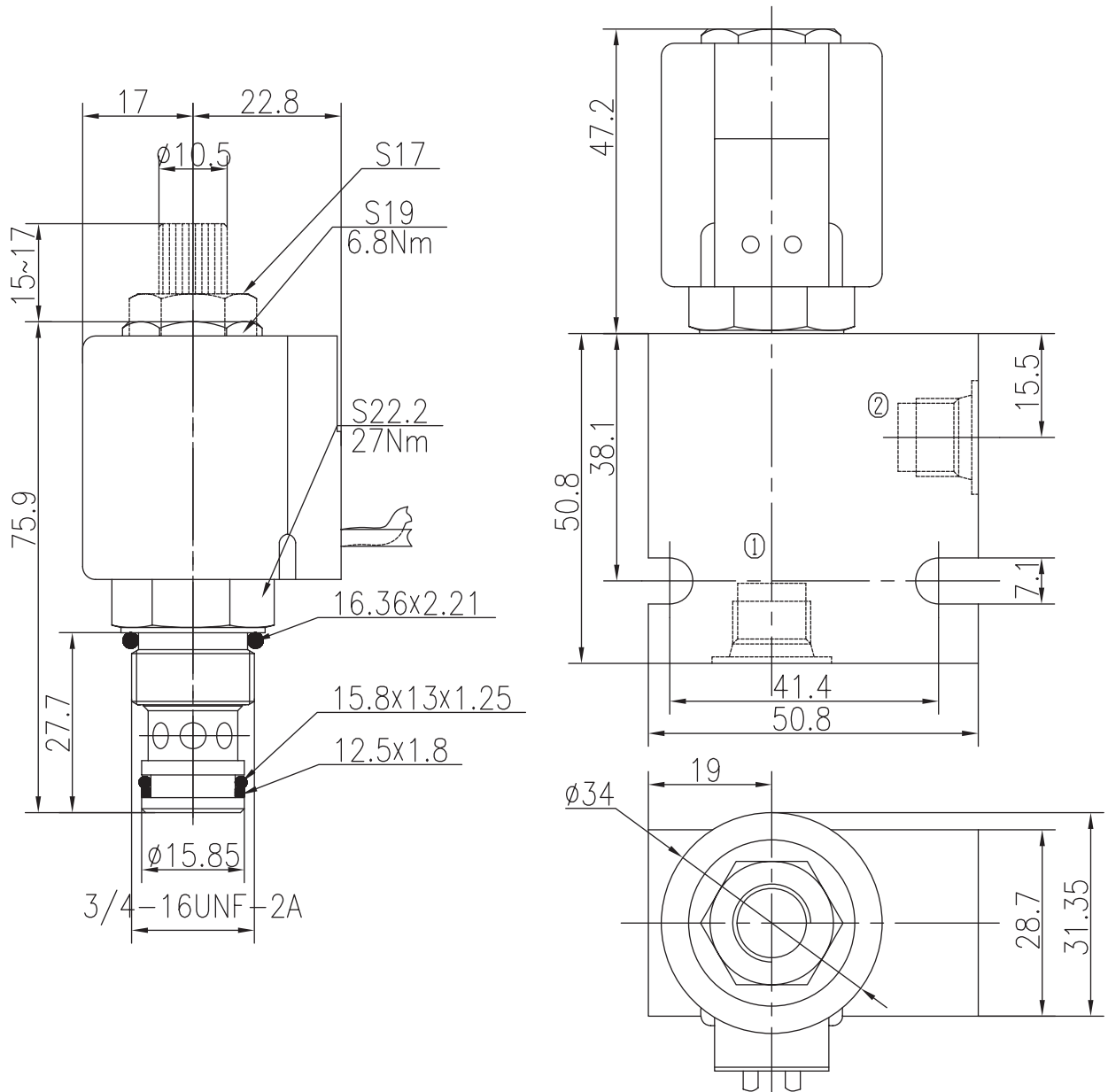


Two Way Two Position (Poppet-type)

BST08S-220 Normally Closed

DHF06-220-02

Profile dimensions



TO ORDER

BST08S-220

Solenoid Valve

Function

None(Blank)

Manual Override H

Body Porting

Omit for Cartridge only

G1/4 4G
G3/8 8G
SAE4 4T
SAE6 6T

Seals

Buna(Std.) N

Fluorocarbon V

Voltage

12 12VDC
24 24VDC
110 110VAC
220 220VAC

Connection

DL Double Leads
DH Electrical Outlet