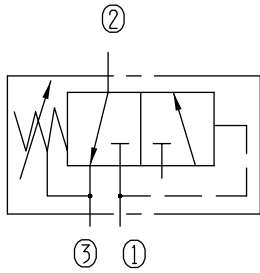


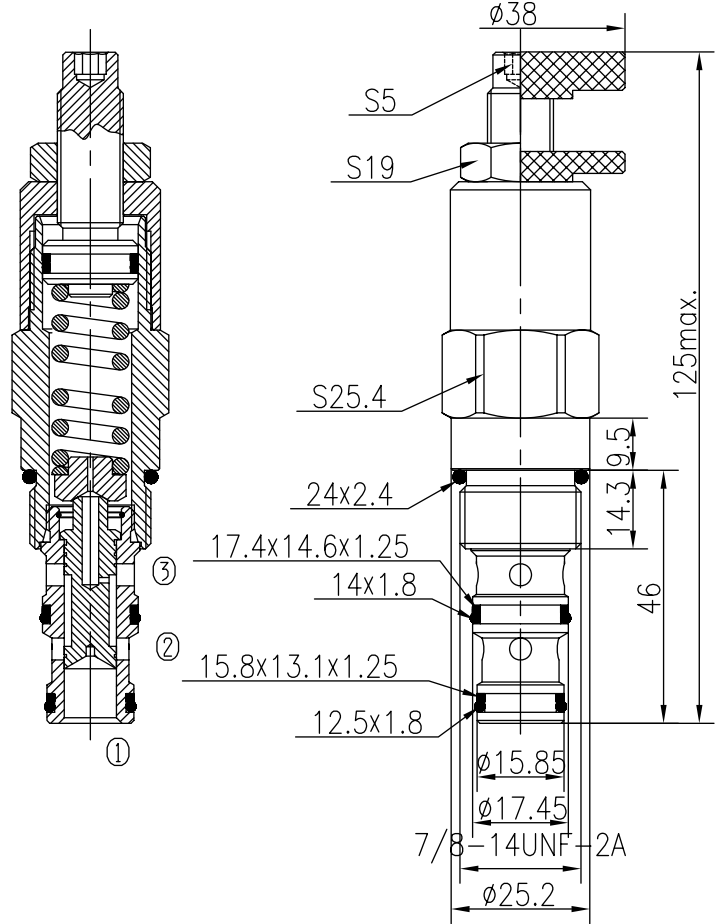
# Direct-acting Sequence Valves (Internally Pilot and Drain)

BZSF10-00/X.Y



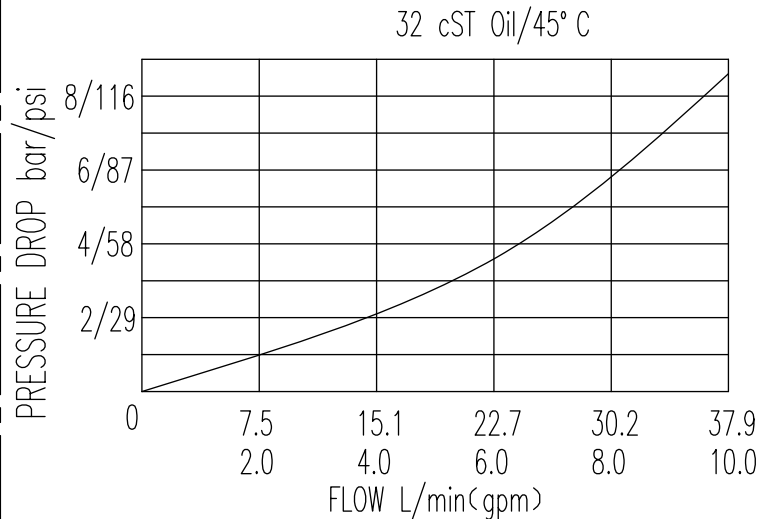
### Specifications:

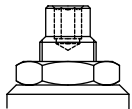
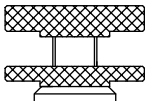
Max working Pressure :	207bar
Flow Max :	30L/min
Internal Leakage :	<80ml/min (80% of Setting Pressure at 30L/min)
Filtration Of Oil :	25μm or better
Temperature :	-30~+100℃ (Standard Buna Seals)
Cavity :	T5-2
Installation torque :	33.9~36.7Nm
Standard Block Model	T5-21*/23*/24*/26*



In its steady state, the valve blocks flow at ①, while allowing flow to pass from ② to ③; while a pre-determined pressure obtained at port ③, the valve allowing flow from ① to ②.

This valve is used in two pressure circuit, it allows direct flow to a secondary circuit once a pre-determined level is attained in the primary circuit.



X	ADJUSTMENTS	
03	Leakproof hex. and socket screw	
05	Alum. Knob and Locking Nut	

Y	SPRINGS			
	Press. range bar	Press. increase bar/turn	Standard setting bar	Cracking press. bar
05	5~38		30	
10	12~85		60	