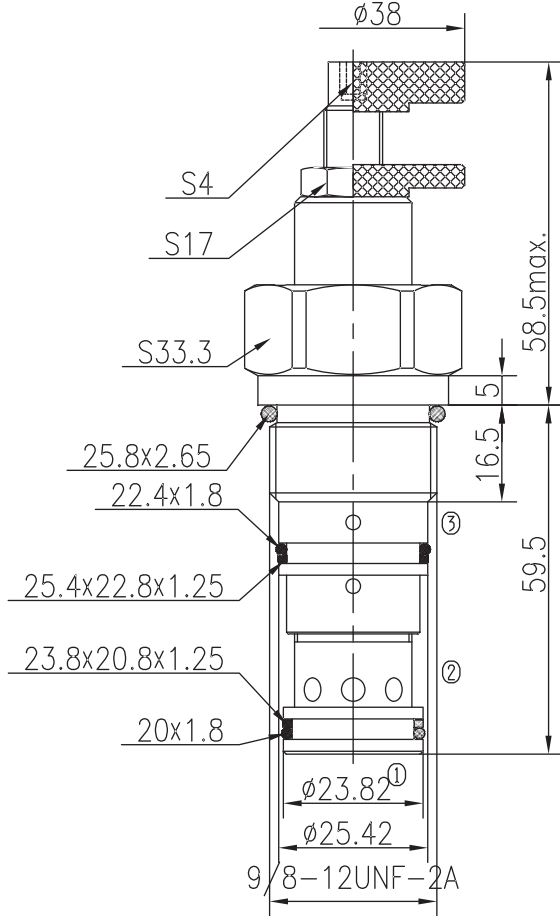
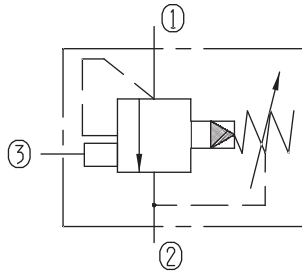


# Remote Control Relief/Unloading Valves (Spool-type)



BYYF12S-00/X.Y

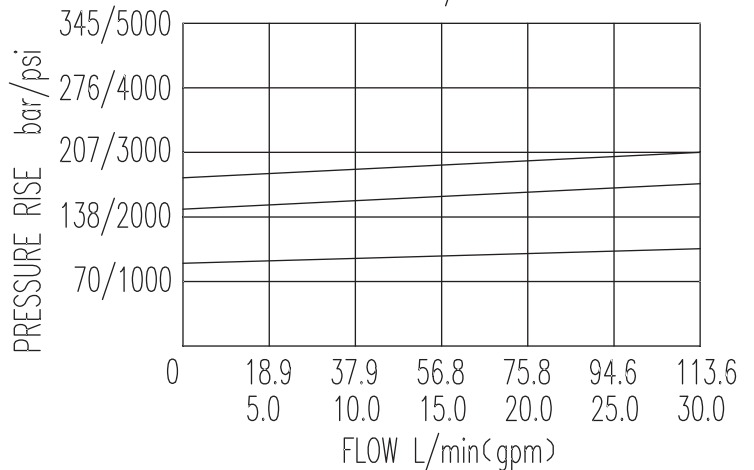


## Specifications:

Max working Pressure :	320bar
Flow Max :	113L/min
Internal Leakage :	<100ml/min (85% of Setting Pressure at 30L/min)
Filtration Of Oil :	25µm or better
Temperature :	-30~+100℃ (Standard Buna Seals)
Cavity :	T6-S2
Installation torque :	68~75Nm
Unloading pressure :	85%

The valve blocks flow from ① to ② until 88% pressure is present at ③. With the continued increase pressure on ①, ② to ③ began to overflow, until to the spring's maximum pressure.

32 cST Oil/45° C



X	ADJUSTMENTS	
03	Leakproof hex. and socket screw	
05	Alum. Knob and Locking Nut	

Y	SPRINGS			
	Press. range bar	Press. increase bar/turn	Standard setting bar	Cracking press. bar
05	10~100	41	100	86
10	30~210	79	160	140
15	100~320	101	200	140