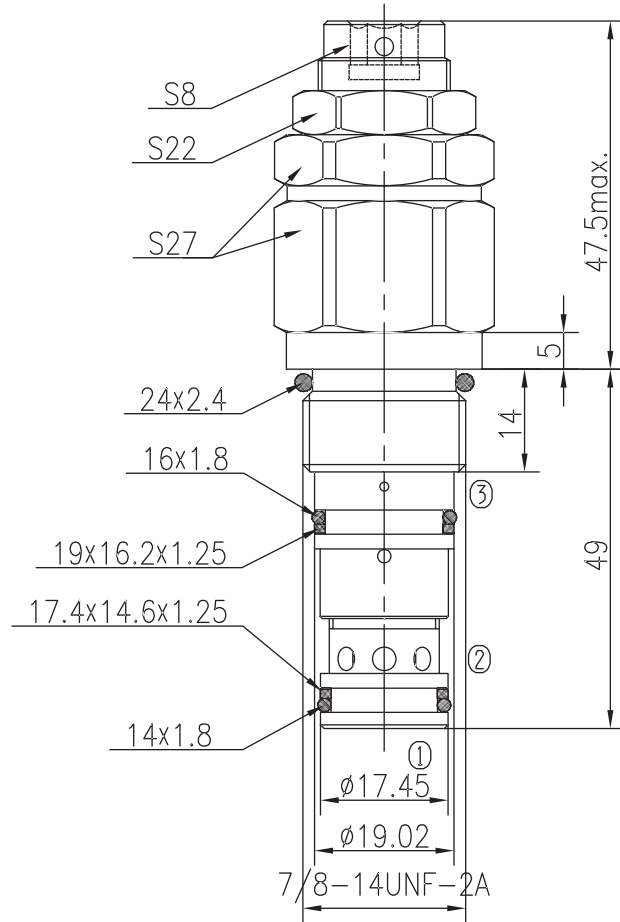
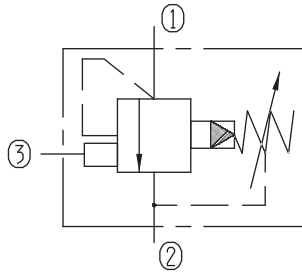


# Remote Control Relief/Unloading Valves (Spool-type)



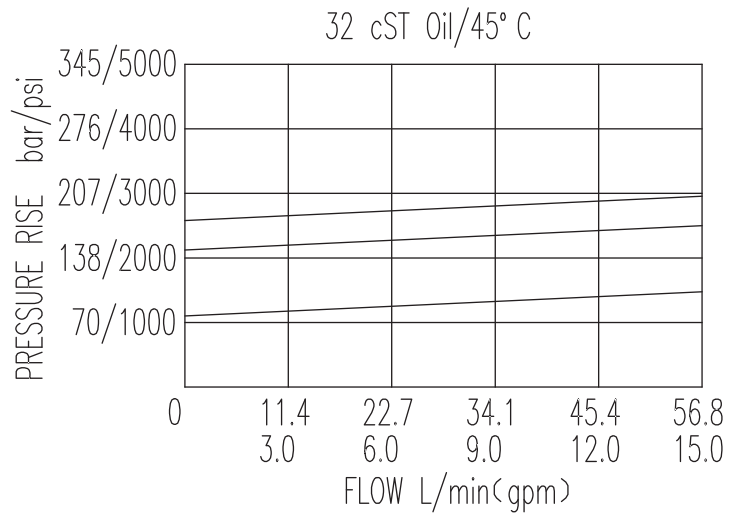
BYYF10S-00/X.Y



## Specifications:

Max working Pressure :	320bar
Flow Max :	60L/min
Internal Leakage :	<80ml/min (85% of Setting Pressure at 30L/min)
Filtration Of Oil :	25µm or better
Temperature :	-30~+100℃ (Standard Buna Seals)
Cavity :	T-3304
Installation torque :	33.9~36.7Nm
Unloading pressure :	85%

The valve blocks flow from ① to ② until 88% pressure is present at ③. With the continued increase pressure on ①, ② to ③ began to overflow, until to the spring's maximum pressure.



X	ADJUSTMENTS	
03	Leakproof hex. and socket screw	

Y	SPRINGS			
	Press. range bar	Press. increase bar/turn	Standard setting bar	Cracking press. bar
05	10~100		100	88
10	60~210		160	140
15	120~320		200	178