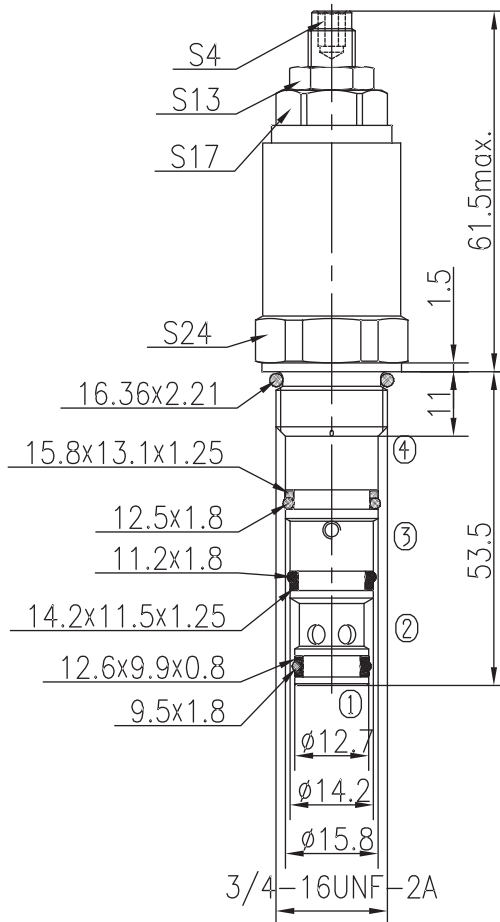
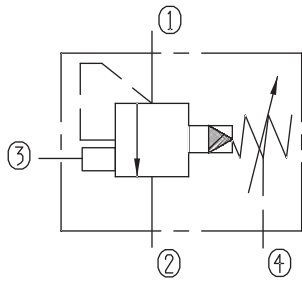


Remote Control Relief/Unloading Valves (Spool-type)



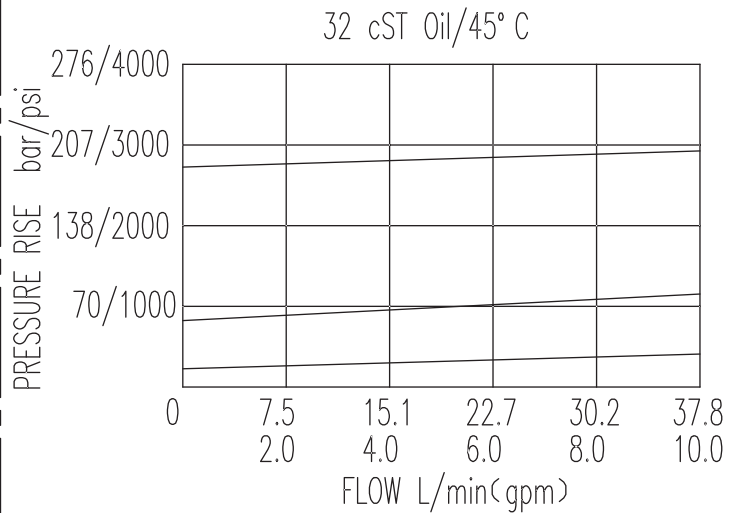
BYYF08-00/X.Y



Specifications:

Max working Pressure :	250bar
Flow Max :	30L/min
Internal Leakage :	<80ml/min (80% of Setting Pressure at 30L/min)
Filtration Of Oil :	25µm or better
Temperature :	-30~+100°C (Standard Buna Seals)
Cavity :	T4-3
Installation torque :	40~45Nm
Unloading pressure :	57~63%

The valve blocks flow from ① to ② until 85% pressure is present at ①. With the continued increase pressure on ①, ① to ② began to overflow, until to the spring's maximum pressure.



X	ADJUSTMENTS	
03	Leakproof hex. and socket screw	

Y	SPRINGS			
	Press. range bar	Press. increase bar/turn	Standard setting bar	Cracking press. bar
05	5~20	3.3	16	12
10	15~80	14	80	68
15	50~200	34	200	178
20	80~250	53	200	178