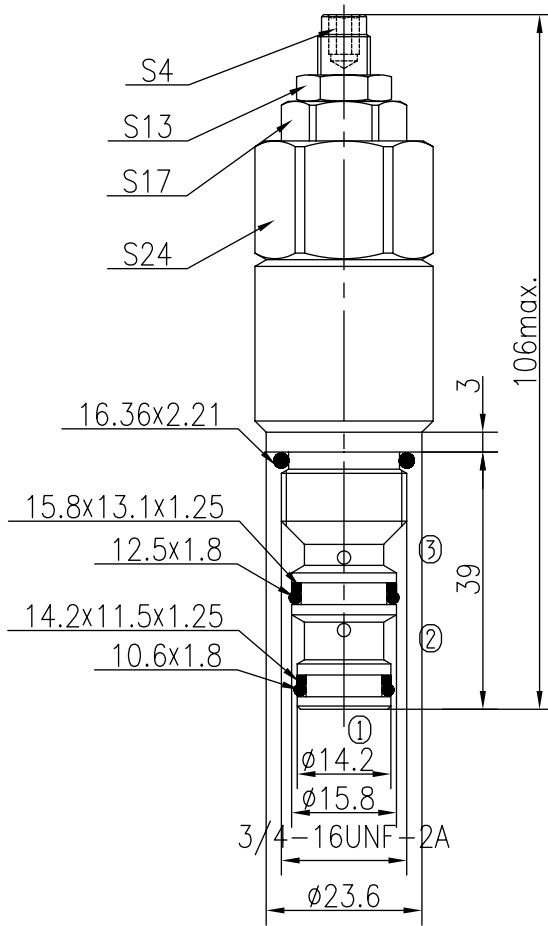
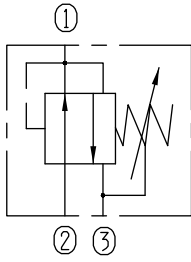


Direct-acting Pressure Reducing/Relieving Valves

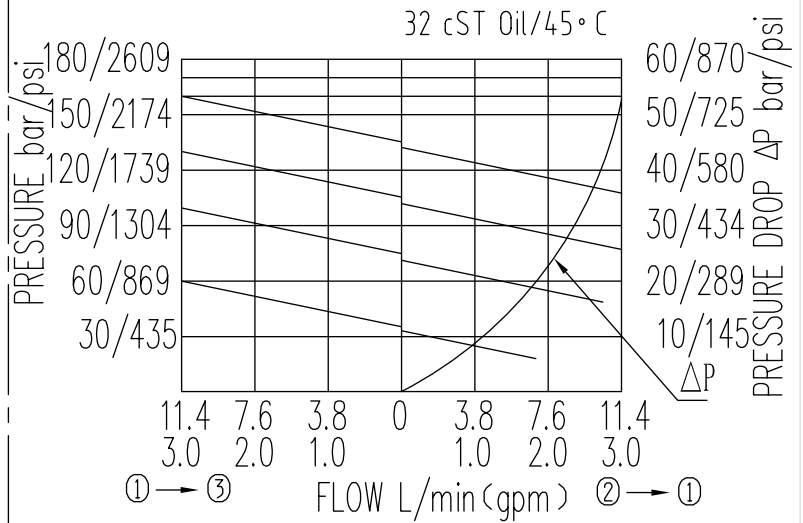


BJF08-00/X.Y



Specifications:

Max working Pressure :	250bar
Flow Max :	11L/min
Internal Leakage :	<80ml/min at 210bar
Filtration Of Oil :	25µm or better
Temperature :	-30~+100°C (Standard Buna Seals)
Cavity :	T4-2
Installation torque :	24.5~27.2Nm



X	ADJUSTMENTS	
03	Leakproof hex. and Socket Screw	

Y	SPRINGS			
	Press. range bar	Press. increase bar/turn	Standard setting bar	Cracking press. bar
05	5~30		30	
10	10~60		50	
15	15~100		80	
20	20~160		100	