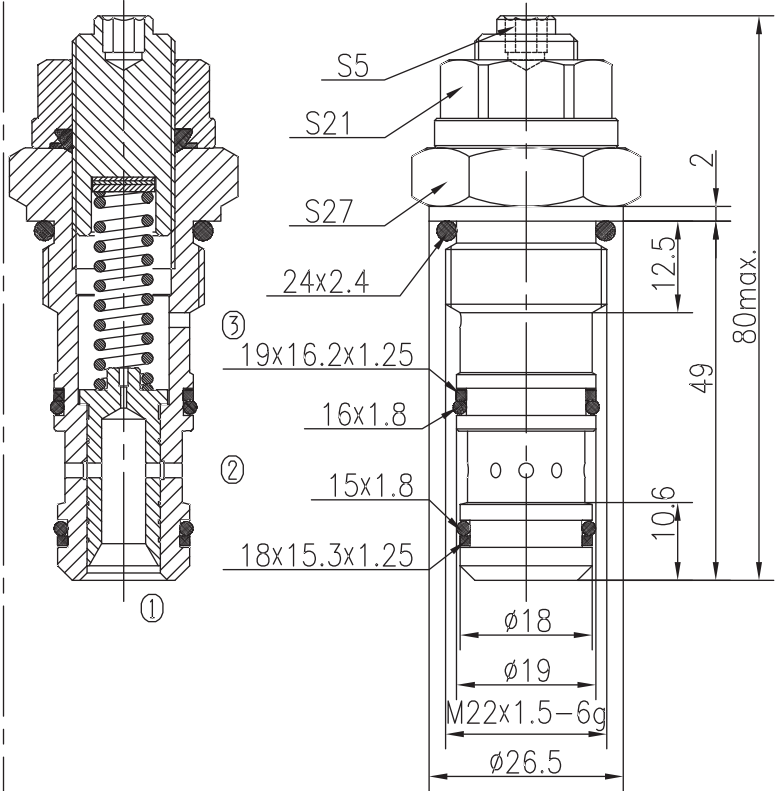
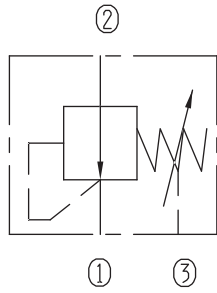


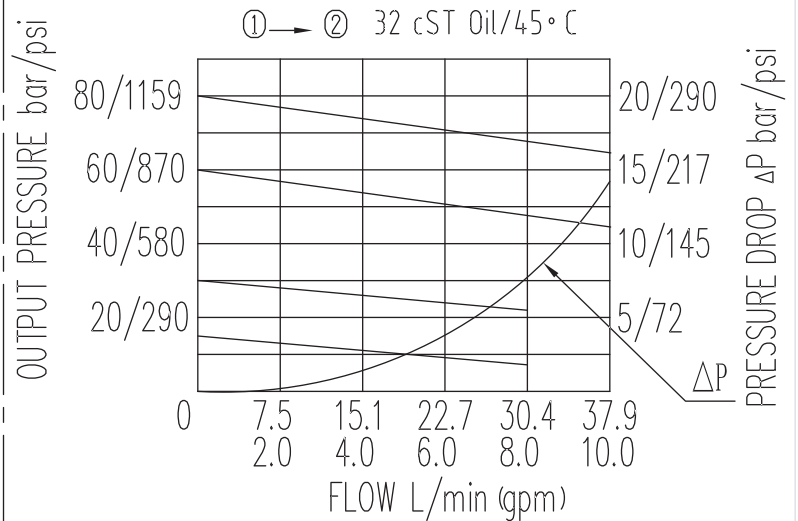
Direct-acting Pressure Reducing Valves

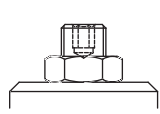
BJF06-00/X.Y



Specifications:

Max working Pressure :	315bar
Flow Max :	40L/min
③ Max. Flow Through Drain Port ②	600ml/min
Filtration Of Oil :	25 μ m or better
Temperature :	-30~+100 $^{\circ}$ C (Standard Buna Seals)
Cavity :	T5-S2
Installation torque :	33.9~36.7Nm



X	ADJUSTMENTS	
03	Leakproof hex. and Socket Screw	

Y	SPRINGS			
	Press. range bar	Press. increase bar/turn	Standard setting bar	Cracking press. bar
05	5~30		30	
10	10~50		50	
15	30~80		80	