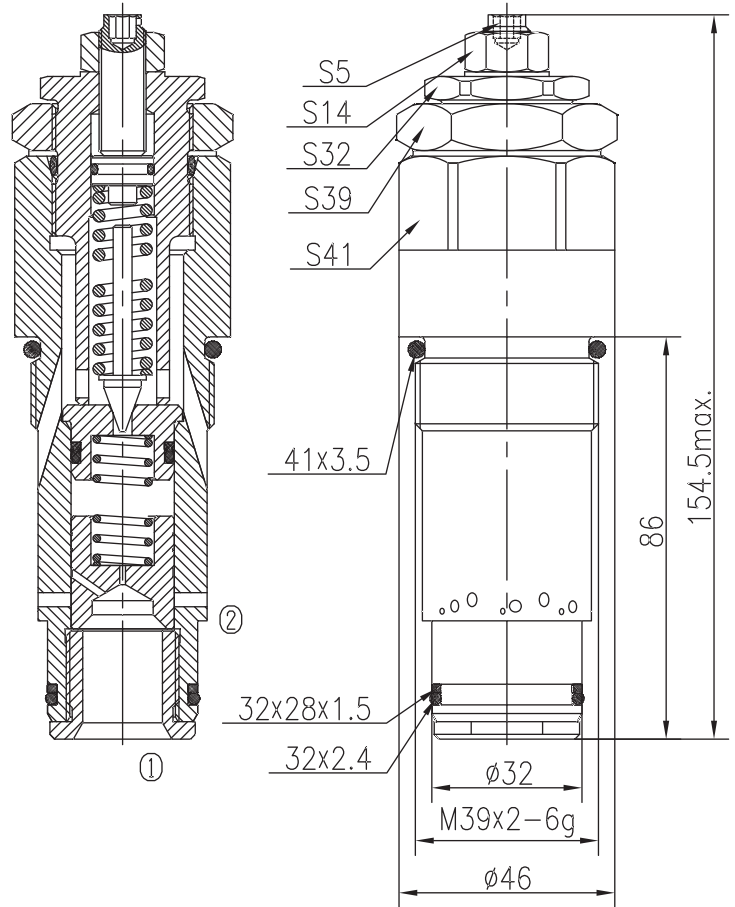
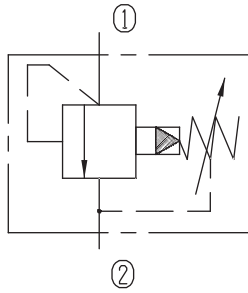


Pilot-operated Relief Valves (Spool-type)

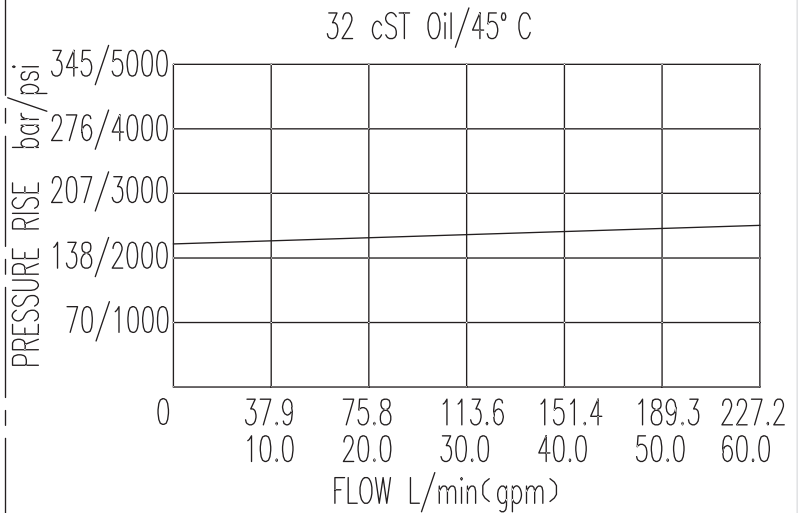
BDFX32-09/X.Y



Specifications:

Max working Pressure :	250bar
Flow Max :	250L/min
Internal Leakage :	$\leq 300\text{ml/min}$ (85% of Setting Pressure at 30L/min)
Filtration Of Oil :	25 μm or better
Temperature :	-30~+100 $^{\circ}\text{C}$ (Standard Buna Seals)
Cavity :	T-2320
Installation torque :	88.4~102Nm

The valve blocks flow from ① to ② until 90% pressure is present at ①. With the continued increase pressure on ①, ② to ③ began to overflow, until to the spring's maximum pressure.



X	ADJUSTMENTS	
03	Leakproof hex. and socket screw	

Y	SPRINGS			
	Press. range bar	Press. increase	Standard setting bar	Cracking press. bar
05	80~250	27	160	146
10				